



Bajaj Auto Limited
Akurdi Pune 411 035 India
Tel +91 20 27472851
Fax +91 20 27407385
www.bajajauto.com

Spare Parts Catalogue





Notice

All information contained in this manual is based on the latest product information at the time of publication. Bajaj Auto Limited accepts no liability for any inaccuracies or omissions in this publication, although every possible care has been taken to make it as complete and accurate as possible. All procedures and specifications subject to change without prior notice. The right is reserved to make such changes at any time without prior notice and without incurring an obligation to make such changes to product manufactured previously. Contact your authorized Bajaj Dealer for the latest information on product improvements incorporated after this manual was issued.

DOC. NO.: 71111622

REV. 01, JUNE 13

Copy rights : All rights reserved. No part of this publicatin may be reproduced, stored in a retrival system, Or transmitted in any form or by any means, electronic mechanical photocopying, recording or otherwise, without the prior written permission of Bajaj Auto LTD.



Foreword

We have pleasure in presenting the Spare Parts Catalogue for 'Pulsar 200 NS' Motorcycle. This catalogue has been specially designed to assist you in selecting the correct parts for procurement to maintain 100% availability.

The Bajaj spares are subjected to the stringent quality control standards to ensure longer life of the vehicle. It is therefore necessary that only the Genuine Bajaj Spares are used.

In a continual effort to improve Performance and Efficiency of the vehicles, Specifications, Diagrams, Illustrations and Part Numbers can change without notice. Consequently, the description in this Spare Parts Catalogue cannot therefore be final and binding on us.

The modifications / alterations which are carried out after the issue of this catalogue, will be conveyed to you through our Service Circulars. You are requested to make necessary corrections in the Parts Catalogue as per the circulars so as to keep your catalogue up-to-date. This will ensure the appropriate and speedy delivery of the Spare Parts as the order placed will bear the latest part numbers.

In case, if you need any technical assistance contact the concerned Regional Office or write to us on the following address :

Bajaj Auto Limited

Service Department

Akurdi, Pune 411 035 India

Phone : 020-27406557

Fax : 020-27407385



Instructions

- 1. How to Read the Catalogue :** Open the catalogue and from the pictorial index locate the group in which the part you want to find is present. Turn over to the concerned page number (as given by pictorial index). Now find out the figure of the part you wish to order. Write down the part number against that particular figure number from the text.

In case, if you have the part number and you need the other details, the part index can be used. The part index (at the end of the catalogue) will give you the figure and page number of the part you wish to order.

- 2. How to Order Spare Parts :** The part number and the description of the part required should be invariably mentioned in the order as per the catalogue text.

The latest part number as conveyed through our service circulars should only appear on the order. In case of ordering painted components, colour shade of the components should be mentioned.

The quantity shown against the part number is the quantity per vehicle for that group so that particular quantity should be multiplied by the number of sets required.

- 3. Part Number System :** We have used 8 digit system for part numbers. The model or hardware item is indicated by first two digits or alphanumeric, the next two or four digits indicate main group and the last four or two digits indicate serial number in main group or serial number or subgroup of fastener respectively. Thus the part numbers will be indicated by 2-2-4 or 2-4-2 digit system. Understanding this system will enable you to identify the spare parts easily.

- 4. Abbreviations :** The following abbreviations are used in this catalogue.

Assly	Assembly	V	Volts
N.I.	Not illustrated	W	Watts
C'case	Crankcase	Accl.	Accelerator
Cyl	Cylinder	Comp.	Complete
O/s	Over size	Fr.	Front
Rr.	Rear	Std.	Standard
L	Length	A/t.	Alternate
R.H.	Right hand	L.H.	Left hand
Hex.	Hexagonal	AR	As required

Index



Plate No.	Description	Page No.
1	Cover Cylinder Head	2
2	Cylinder Head	4
3	Valve	6
4	Camshaft / Tensioner	8
5	Cylinder and Piston	10
6	Crankshaft	12
7	Transmission	14
8	Change Drum / Shift Fork	16
9	Gear Change Mechanism	18
10	Engine Assly / Crankcase RH	20
11	Crankcase LH	22
12	Balancer Idler Gear / Water Pump	24
13	Oil Pump	26
14	Radiator	28
15	Cover Clutch	30
16	Cover Magneto	32
17	Clutch Assly	34
18	Carburettor	36
19	Air Cleaner Complete	38
20	Silencer Assly	40
21	Starter Assly	42
22	Magneto, C.D.I. & H.T. Coil	44
23	Seat Assly / Seat Lock	46
24	Engine Mountings	48
25	Frame and Frame Fitting	50
26	Swing Arm / Rear Shock Absorber	52
27	Pillion Foot Rest / Holder	54
28	Mudguard- Front & Rear	56
29	Stand Assembly	58
30	Tyre/ Tube / Rim	60

Index



Plate No.	Description	Page No.
31	Front Hub	62
32	Front Master Cylinder	64
33	Front Disc Brake	66
34	Rear Hub	68
35	Rear Disc Brake System	70
36	Rear Brake Pedal	72
37	Handle Bar Assly	74
38	Front Fork	76, 78
39	Painted Parts & Decals	80, 82
40	Radiator Cover	84
41	Petrol Tank, Cap Tank & Gauge Fuel	86
42	Fittings - Petrol Tank, Side Cover & Cover Seat	88
43	Meter Assly.	90
44	Control Cables	92
45	Chain Case	94
46	Head Lamp & Fairing	96
47	Indicator Light Assly.	98
48	Tail Lamp Assly. / Front No. Plate	100
49	Electrical Equipments	102
50	Tool Kit	104
51	Accessories / Grab Handle	106
	Kits List For Pulsar 200 NS	107, 108
		109
	Amendment Sheet (Parts Added)	111
	Amendment Sheet (Parts Deleted)	112
	Part Index	

Pictorial Index



PLATE NO. : 1 COVER CYLINDER HEAD	PAGE NO. 1	PLATE NO. : 2 CYLINDER HEAD	PAGE NO. 3

PLATE NO. : 3 VALVE	PAGE NO. 5	PLATE NO. : 4 CAMSHAFT / TENSIONER	PAGE NO. 7

Pictorial Index



PLATE NO. : 5 CYLINDER & PISTON	PAGE NO. 9	PLATE NO. : 6 CRANKSHAFT	PAGE NO. 11

PLATE NO. : 7 TRANSMISSION	PAGE NO. 13	PLATE NO. : 8 CHANGE DRUM / SHIFT FORK	PAGE NO. 15

Pictorial Index



PLATE NO. : 9
GEAR CHANGE MECHANISM

PAGE NO.
17



PLATE NO. : 10
ENGINE ASSLY & CRANKCASE RH

PAGE NO.
19

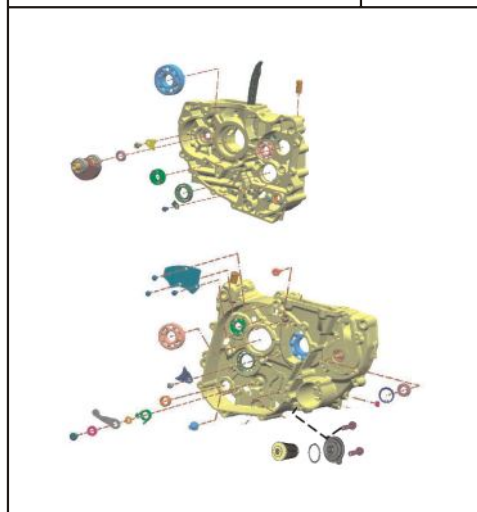


PLATE NO. : 11
CRANKCASE LH

PAGE NO.
21

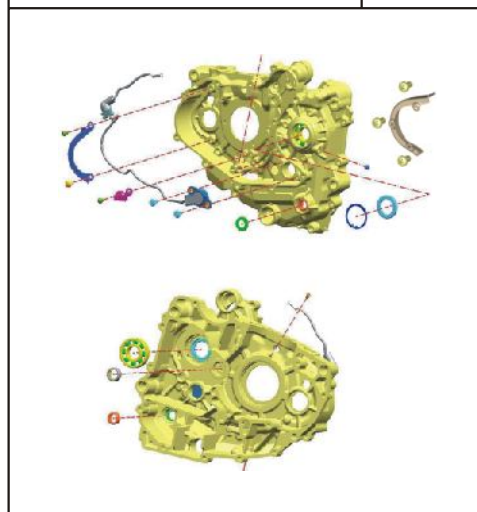
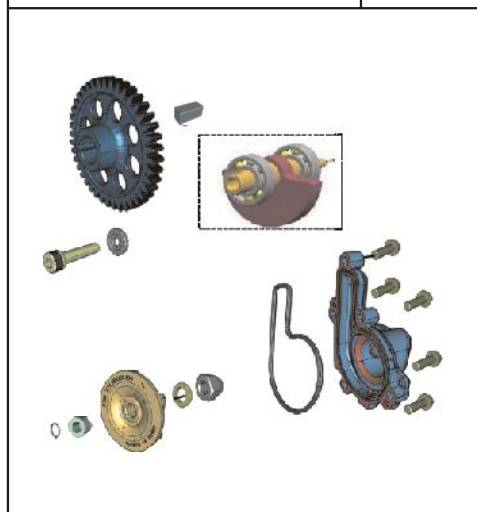


PLATE NO. : 12
BALANCER IDLER GEAR/WATER PUMP

PAGE NO.
23



Pictorial Index



PLATE NO. : 13
OIL PUMP

PAGE NO.
25

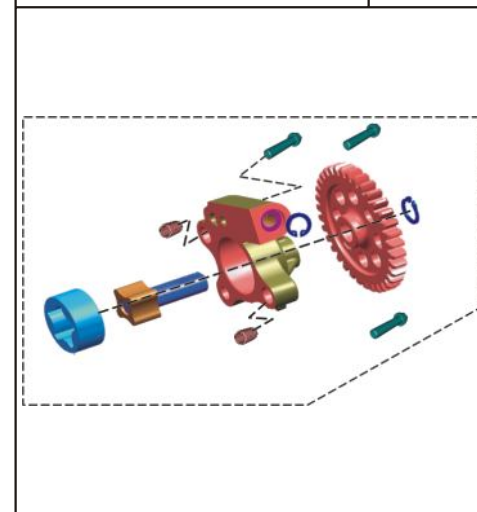


PLATE NO. : 14
RADIATOR

PAGE NO.
27

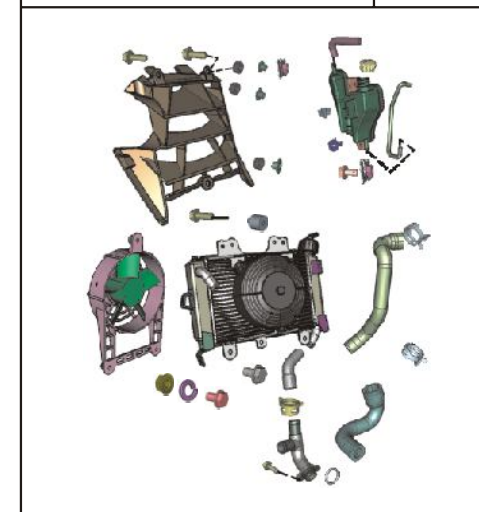


PLATE NO. : 15
COVER CLUTCH

PAGE NO.
29

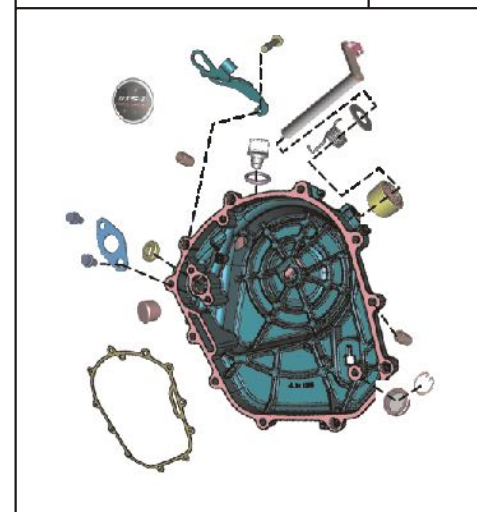
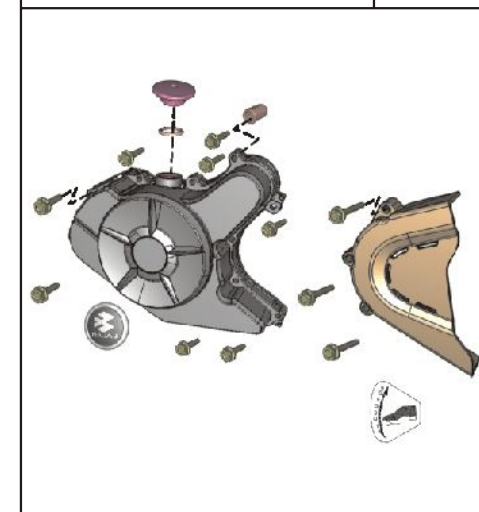


PLATE NO. : 16
COVER MAGNETO

PAGE NO.
31



Pictorial Index



PLATE NO. : 17
CLUTCH ASSEMBLY

PAGE NO.
33

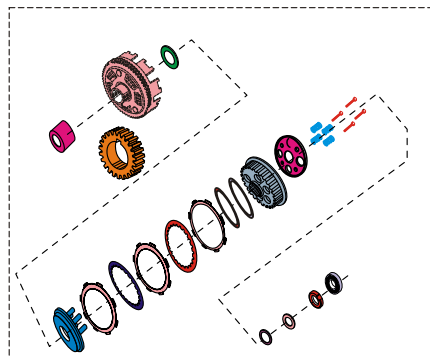


PLATE NO. : 18
CARBURETTOR

PAGE NO.
35

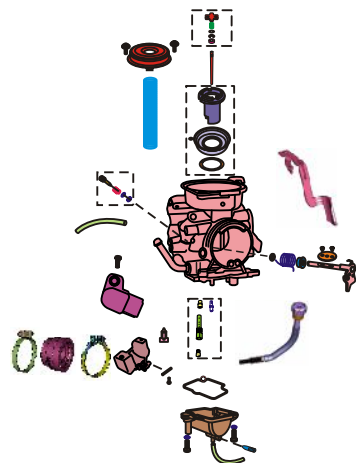


PLATE NO. : 19
AIR CLEANER COMPLETE

PAGE NO.
37

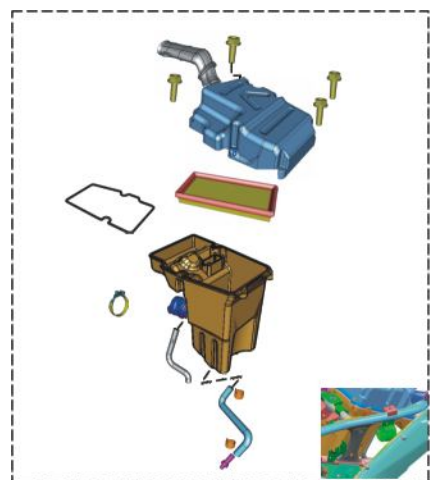


PLATE NO. : 20
SILENCER ASSEMBLY

PAGE NO.
39



Pictorial Index



PLATE NO. : 21
STARTER ASSEMBLY

PAGE NO.
41

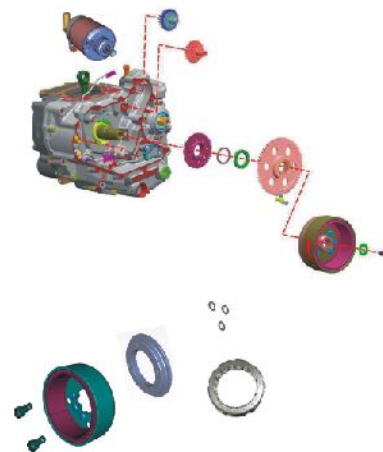


PLATE NO. : 22
MAGNETO, CDI & H.T. COIL

PAGE NO.
43

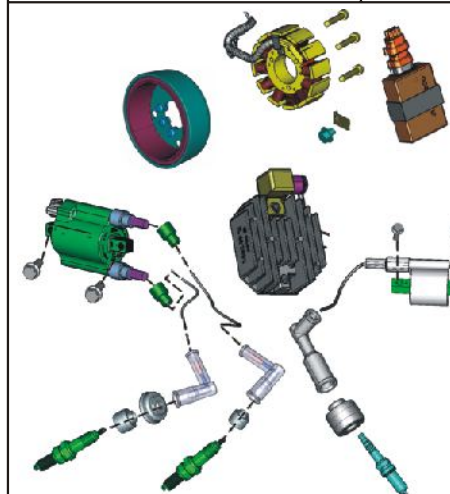


PLATE NO. : 23
SEAT ASSEMBLY / SEAT LOCK

PAGE NO.
45

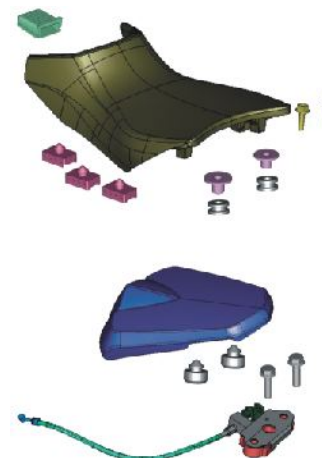
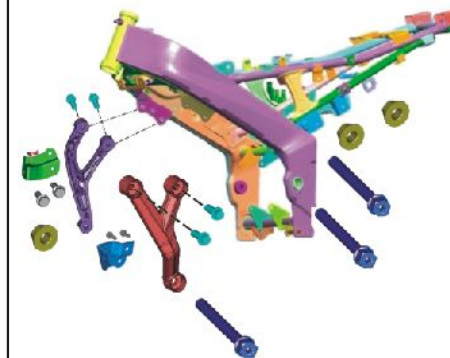


PLATE NO. : 24
ENGINE MOUNTINGS

PAGE NO.
47



Pictorial Index



PLATE NO. : 25 FRAME & FITTINGS	PAGE NO. 49
------------------------------------	----------------

PLATE NO. : 26 SWING ARM/REAR SHOCK ABSORBER	PAGE NO. 51
---	----------------

PLATE NO. : 27 PILLION FOOT REST / HOLDER	PAGE NO. 53
--	----------------

PLATE NO. : 28 MUD GUARD - FRONT & REAR	PAGE NO. 55
--	----------------

Pictorial Index



PLATE NO. : 29 STAND ASSEMBLY	PAGE NO. 57
----------------------------------	----------------

PLATE NO. : 30 TUBE / TYRE / RIM	PAGE NO. 59
-------------------------------------	----------------

PLATE NO. : 31 FRONT HUB	PAGE NO. 61
-----------------------------	----------------

PLATE NO. : 32 FRONT MASTER CYLINDER	PAGE NO. 63
---	----------------

Pictorial Index



PLATE NO. : 33
FRONT DISC BRAKE

PAGE NO.
65

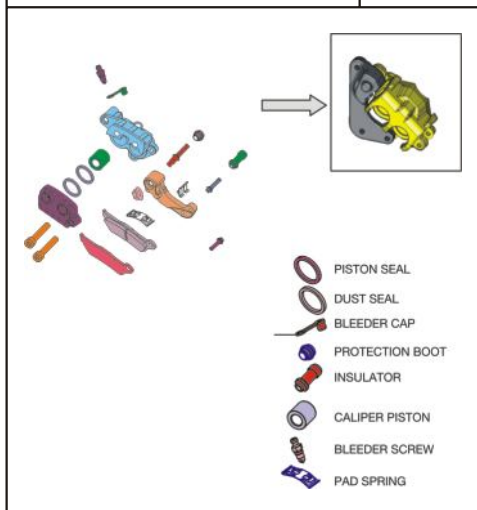


PLATE NO. : 34
REAR HUB

PAGE NO.
67

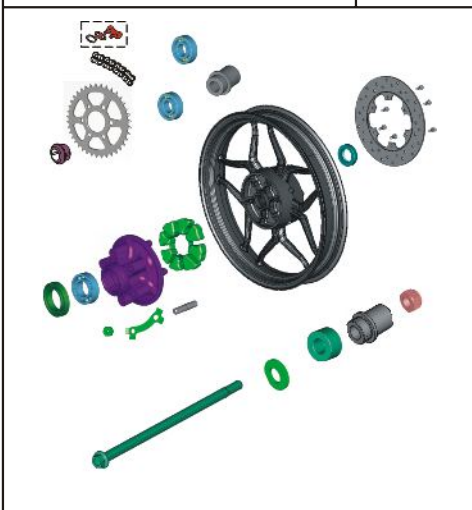


PLATE NO. : 35
REAR DISC BRAKE SYSTEM

PAGE NO.
69

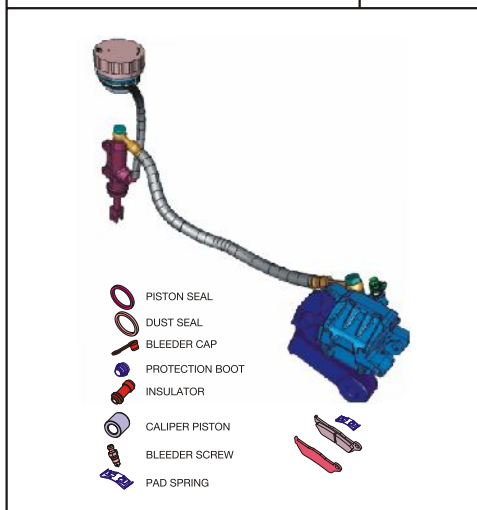


PLATE NO. : 36
REAR BRAKE PEDAL

PAGE NO.
71



Pictorial Index



PLATE NO. : 37
HANDLE BAR ASSEMBLY

PAGE NO.
73

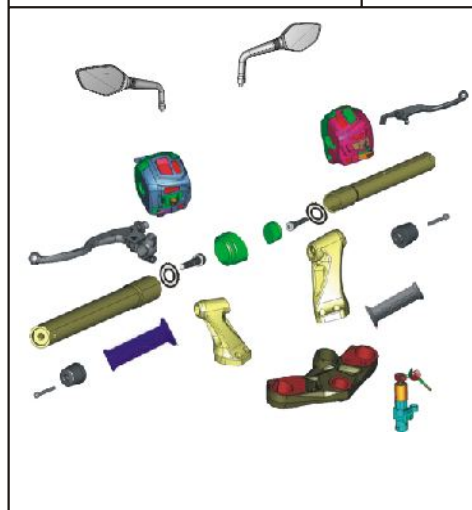


PLATE NO. : 38
FRONT FORK

PAGE NO.
75, 77

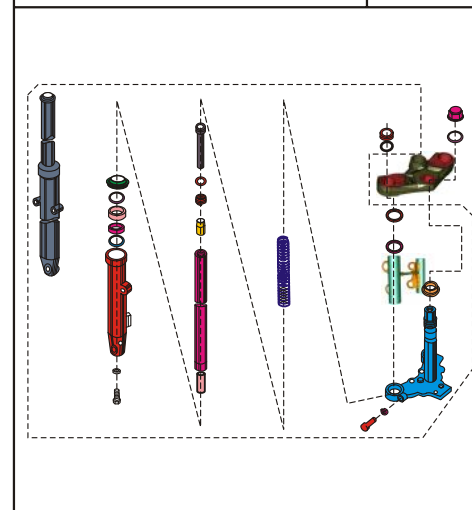


PLATE NO. : 39
PAINTED PARTS & DECALS

PAGE NO.
79, 81

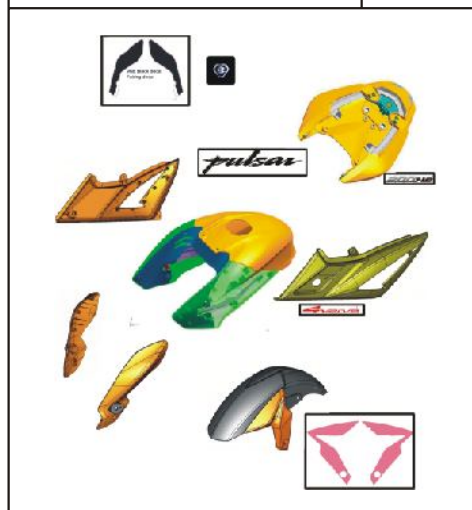
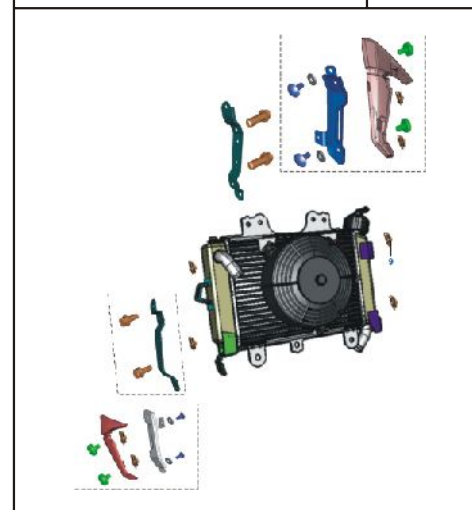


PLATE NO. : 40
RADIATOR COVERS

PAGE NO.
83



Pictorial Index



PLATE NO. : 41
PETROL TANK, CAP TANK &
GAUGE FUEL

PAGE NO.
85



PLATE NO. : 42
FITTING PETROL TANK COVER,
SIDE COVERS & SEAT COVER

PAGE NO.
87



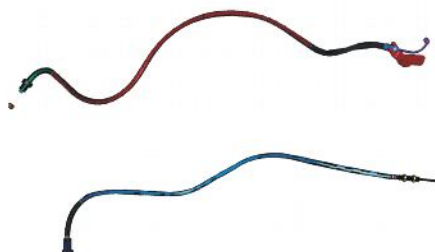
PLATE NO. : 43
METER ASSEMBLY

PAGE NO.
89



PLATE NO. : 44
CONTROL CABLES

PAGE NO.
91



Pictorial Index



PLATE NO. : 45
CHAIN CASE

PAGE NO.
93



PLATE NO. : 46
HEAD LAMP & FAIRING

PAGE NO.
96

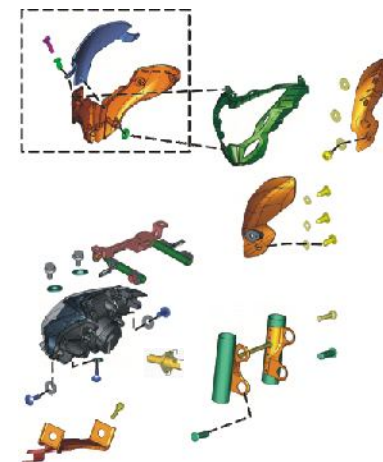


PLATE NO. : 47
INDICATOR LIGHT ASSEMBLY

PAGE NO.
97

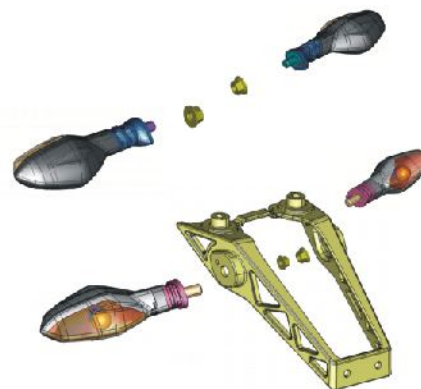


PLATE NO. : 48
TAIL STOP ASSEMBLY / FRONT
NUMBER PLATE

PAGE NO.
99



Pictorial Index

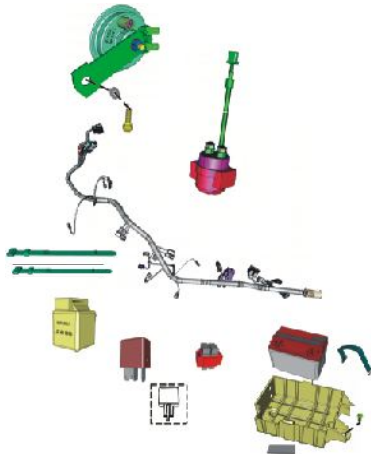
PLATE NO. : 49 ELECTRICAL EQUIPMENTS	PAGE NO. 101
	

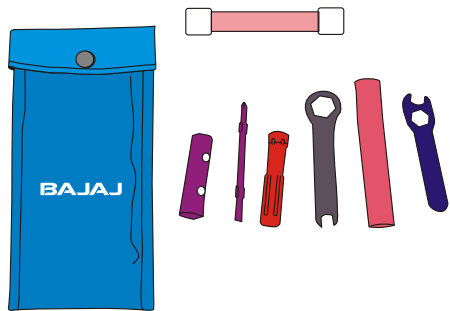
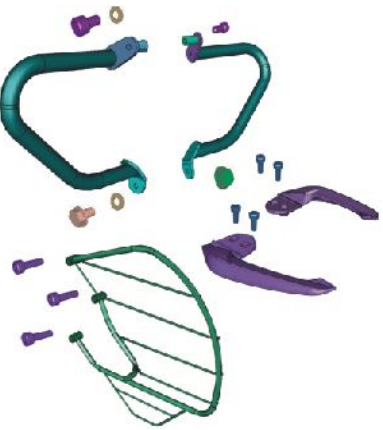
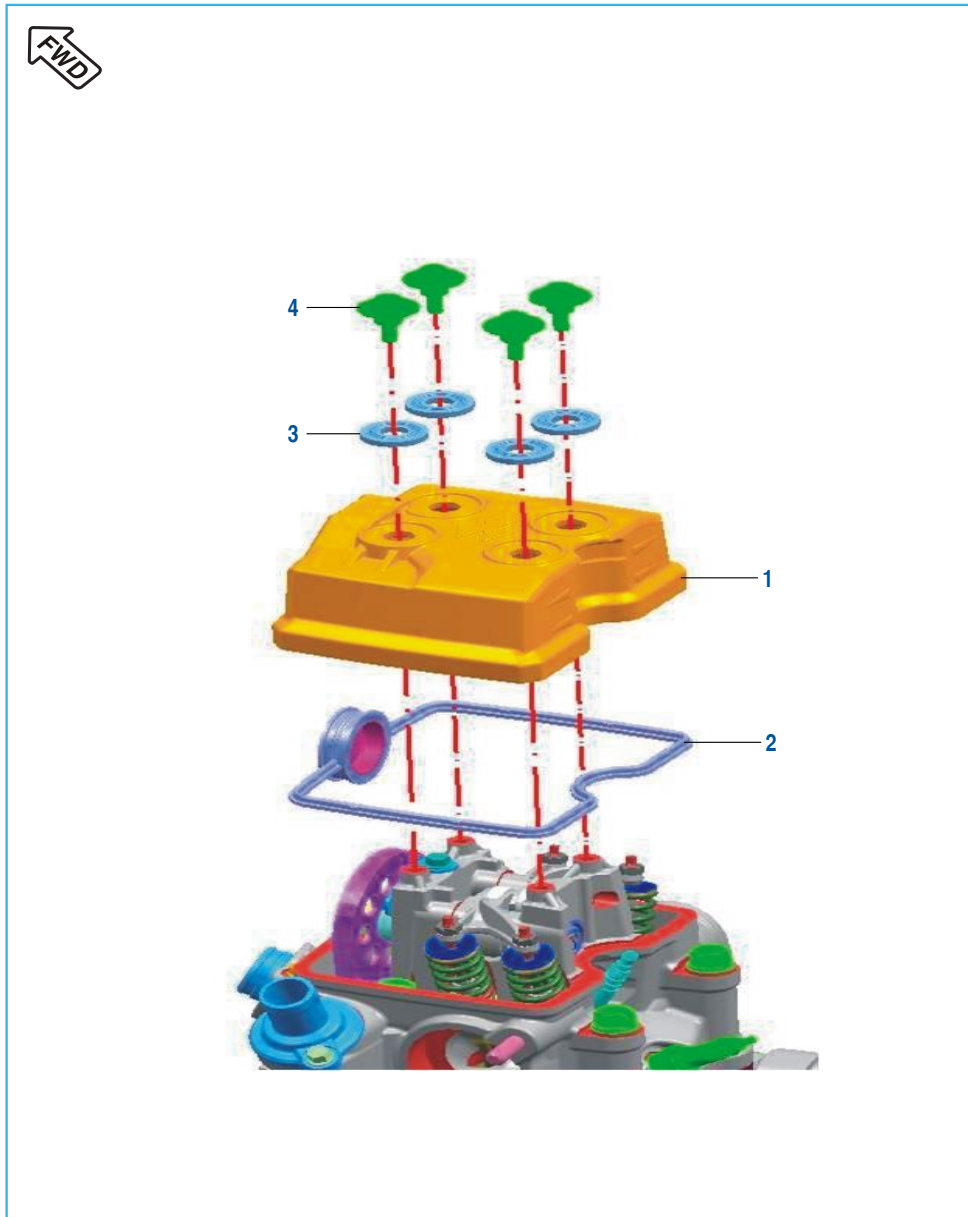
PLATE NO. : 50 TOOL KIT	PAGE NO. 103
	

PLATE NO. : 51 ACCESSORIES / GRAB HANDLE	PAGE NO. 105
	

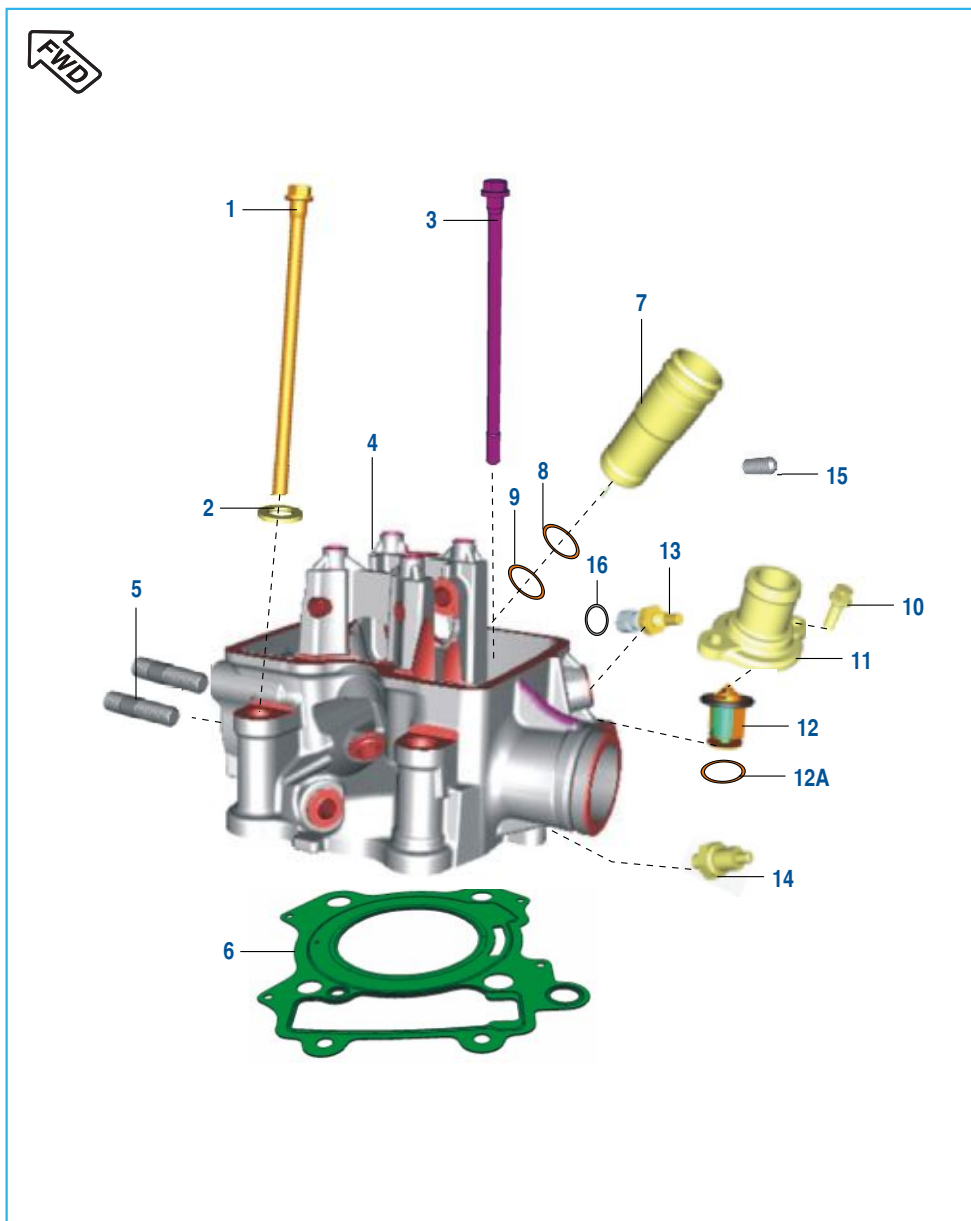
Pictorial Index

Cover Cylinder Head



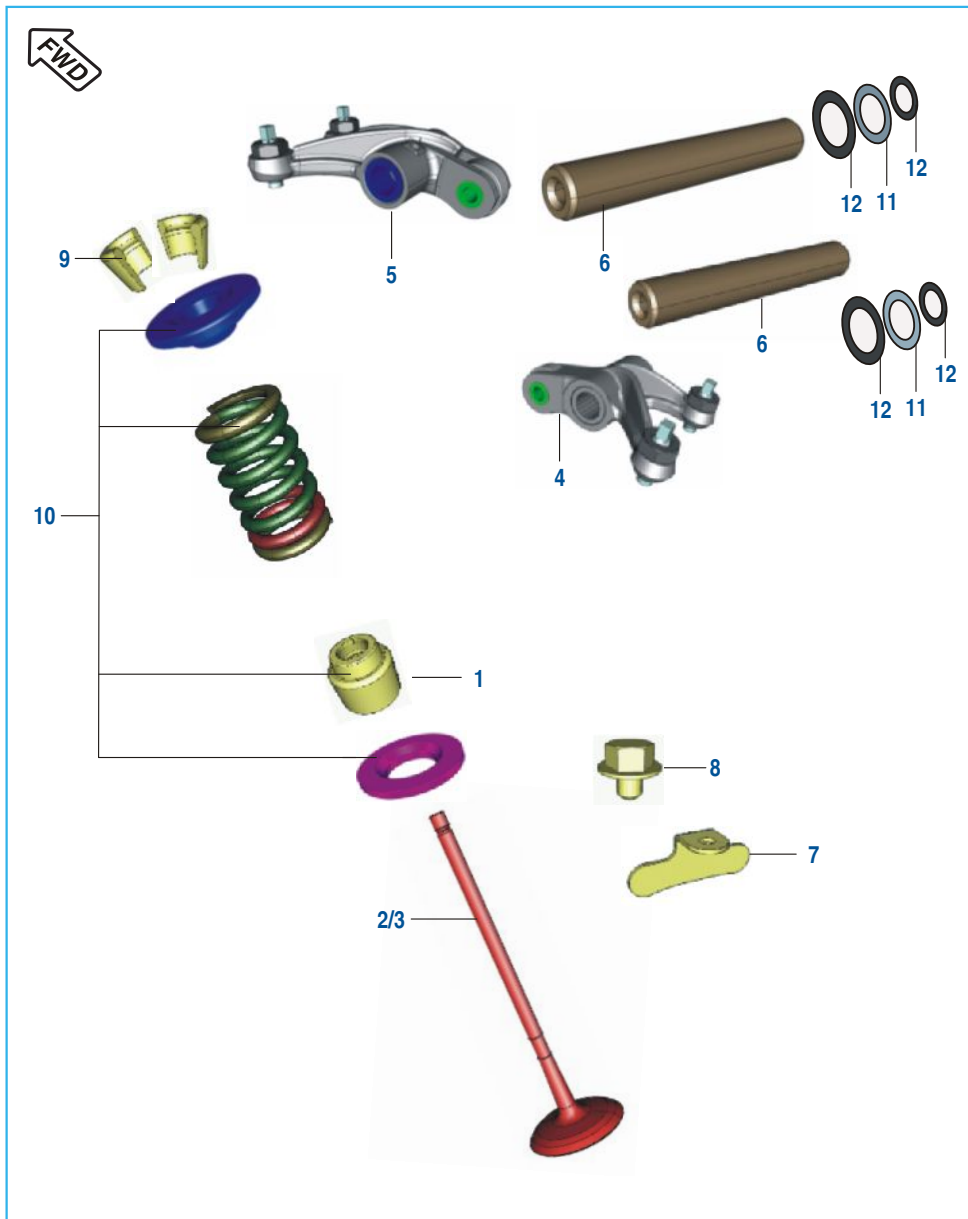
No.	Part No.	Description	Qty.	Remarks
1	JL 5110 02	Cover Cylinder Head	1	
2	JL 5110 01	Gasket Head Cover(Rubber)	1	
3	JG 5110 21	Washer	4	
4	JG 5110 22	Bolt Special	4	

Cylinder Head



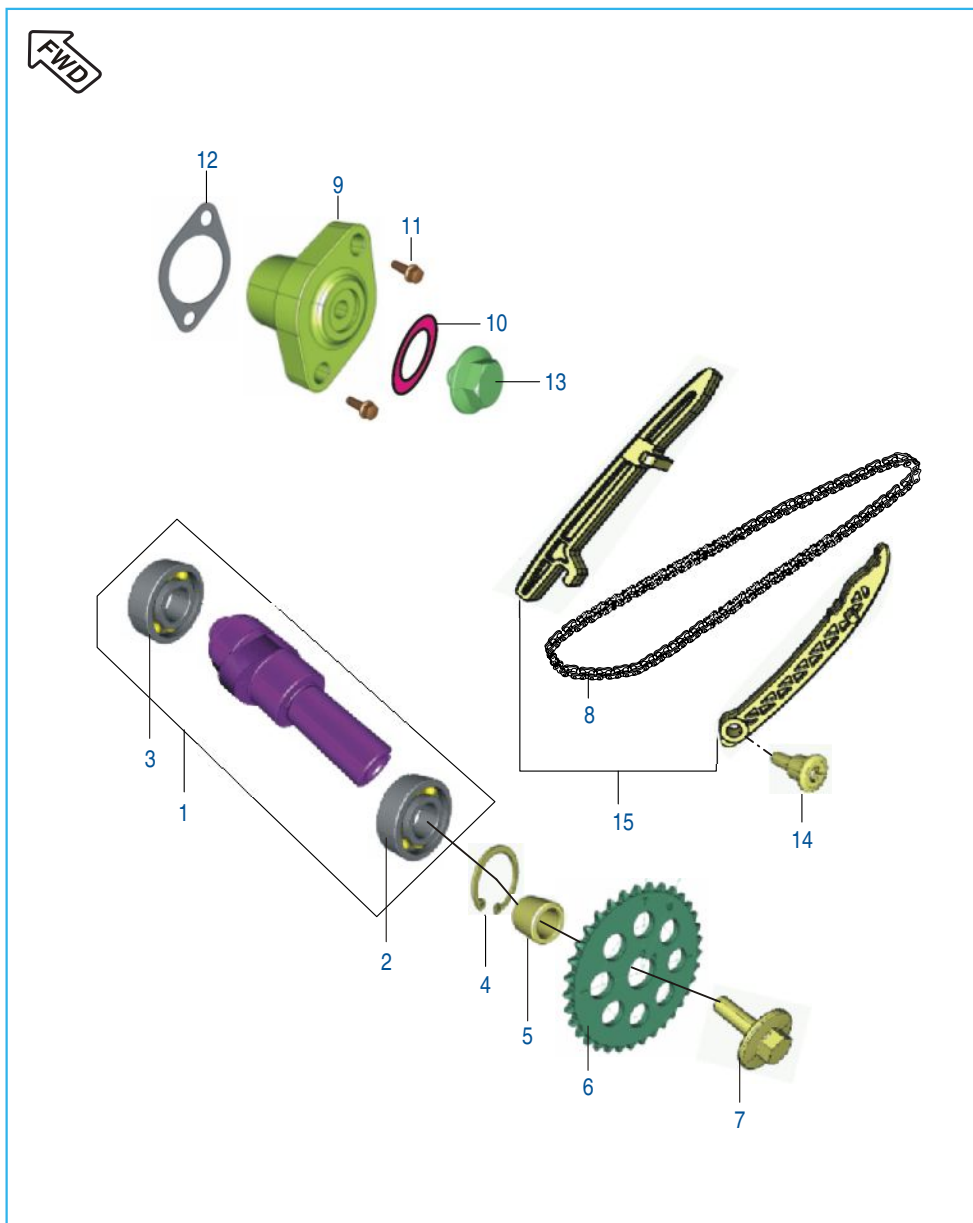
No.	Part No.	Description	Qty.	Remarks
1	JG 5410 68	Hex Flange Head Bolt M10	4	
2	LD A000 08	Washer 11.2*20*2T	4	
3	JL 5110 09	M6 Stud Bolt	2	
4	36 JL00 10	Kit Asly Cylinder Head	1	Refer Page No. 108
5	JG 5110 46	Stud (M8*1.25)	2	
6	JL 5110 22	Gasket Cylinder Head	1	
7	JL 5112 19	Sleeve Spark Plug	1	
8	39 2629 21	'O' Ring Sleeve	1	Top side
9	39 1283 21	'O' Ring Sleeve	1	Bottom side
10	39 1673 04	Bolt - Flange M6	2	
11	JL 5110 29	Cover Thermostat	1	
12	JL 6012 24	Thermostat Assembly	1	
12A	JL 6012 25	Seal Thermostat	1	
13	JG 3514 00	Coolant Water Temp Sensor	1	
14	DK 1012 25	Switch Oil Pressure	1	
15	39 2608 01	Grub Screw	1	
16	39 2699 20	'O' Ring Water Temp Sensor	1	

Valve



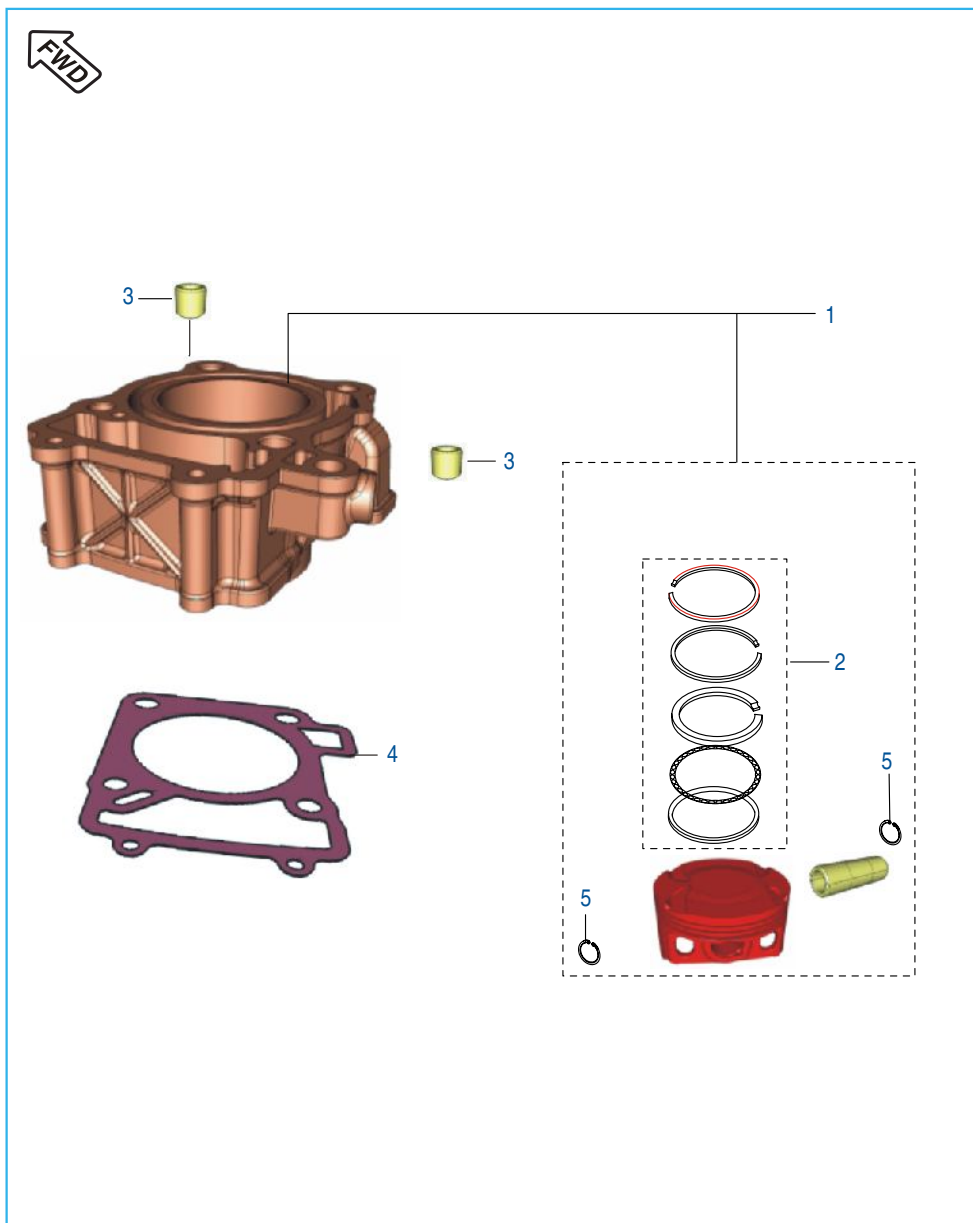
No.	Part No.	Description	Qty.	Remarks
1	39 2017 19	Seal - Oil	4	
2	JL 5110 10	Valve Intake	2	
3	JL 5110 11	Valve Exhaust	2	
4	JL 5110 06	Assembly Rocker Arm Intake	1	
5	JL 5110 07	Assembly Rocker Arm Exhaust	1	
6	JL 5112 05	Rocker Arm Shaft	1	
7	JF 5112 07	Plate Stopper Rocker Arm	1	
8	LA E000 16	Bolt Flanged M5X0.8X6L-Precoated	1	
9	DG 1010 29	Cotter Valve	8	
10	36 JL00 11	Valve Repair Kit	4	Refer Page No. 107
11	DH 1012 95	Wave Washer	2	D-54 dated 19/03/2013
12	39 2440 11	Plain Washer	4	D-54 dated 19/03/2013

Camshaft / Tensioner



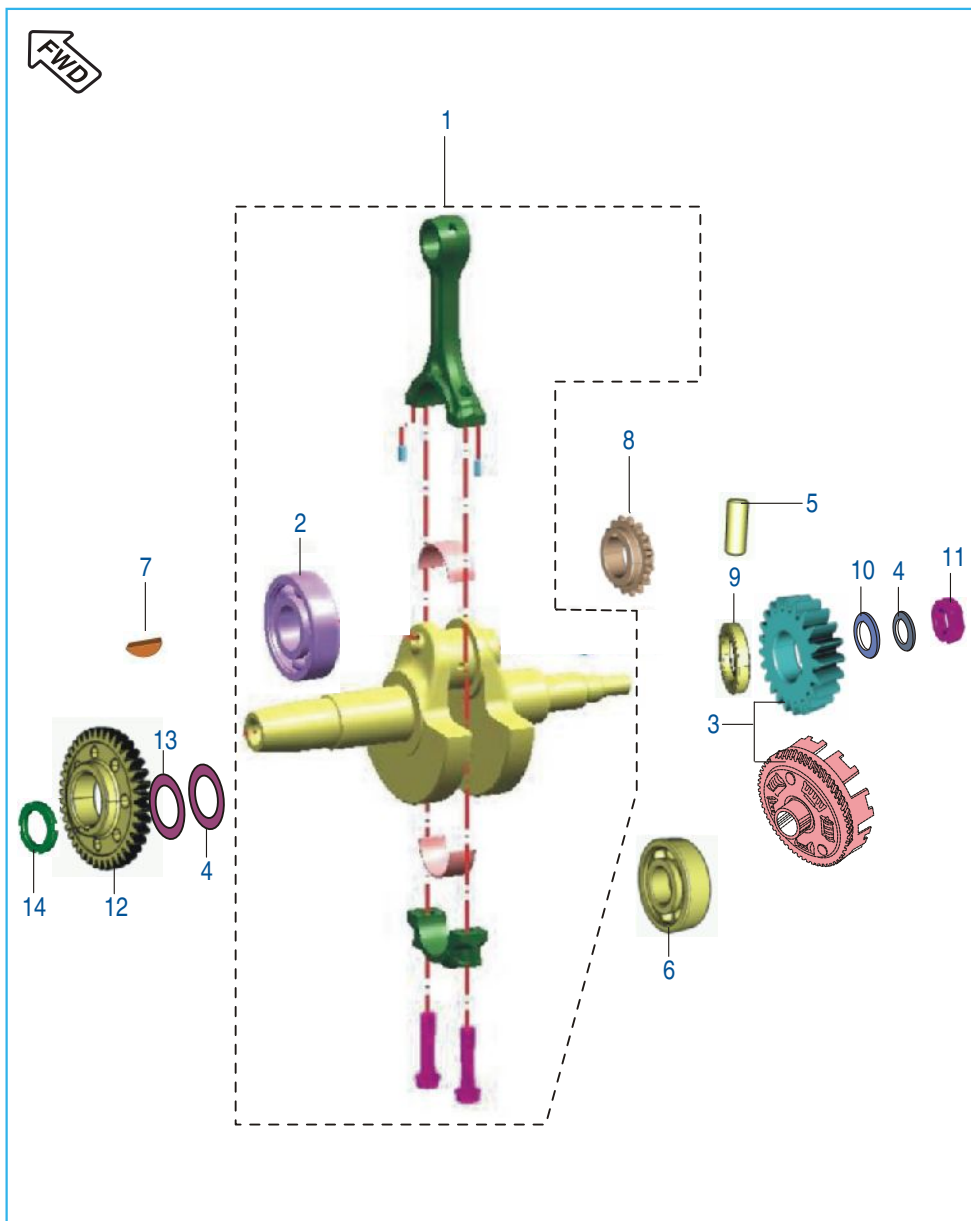
No.	Part No.	Description	Qty.	Remarks
1	JF 5112 28	Assembly Camshaft	1	
2	JG 5312 20	Bearing - Ball 6202/HN3	1	
3	AP 1012 36	Bearing - Ball 12 X 28 X 8	1	
4	LE B000 01	Circlip - Internal	1	
5	JL 5112 21	Spacer Camshaft	1	
6	JL 5112 20	Sprocket Camshaft	1	
7	DU 1012 25	Bolt Special Flanged (Camshaft)	1	
8	JL 5112 22	Timing Chain	1	
9	JC 1010 34	Tensioner Assembly	1	
10	39 2669 21	Ring - O (Tensioner Bolt)	1	N.I.
11	KA DQ06 20	Bolt Hexagonal	2	
12	CS 1011 28	Gasket	1	
13	JG 5112 70	Bolt Flanged M6X1X6L-Special	1	
14	DH 1013 92	Chain Guide Pivot Bolt	1	
15	36 JL00 01	Kit Cam Chain Guide	1	Refer Page No. 108

Cylinder and Piston



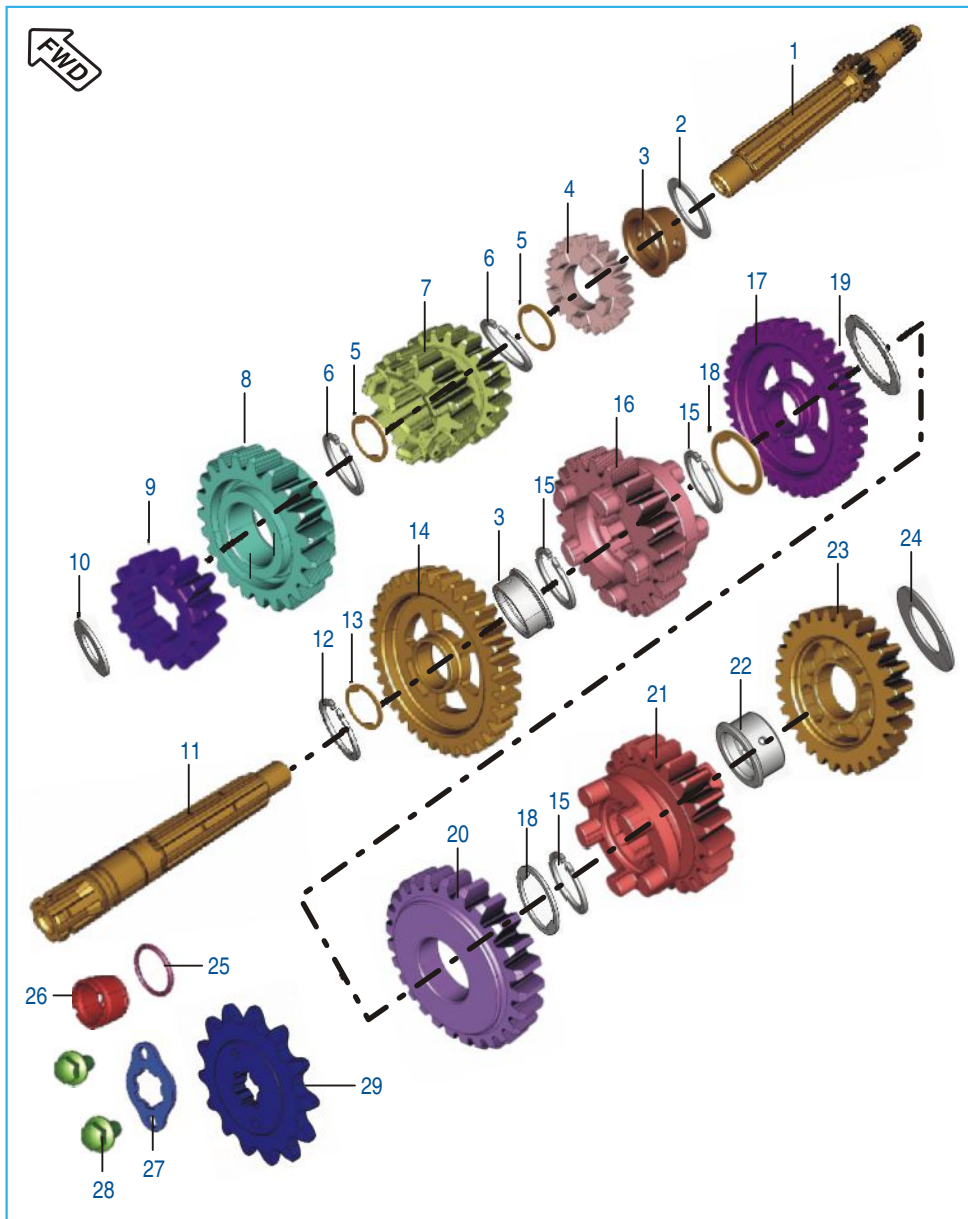
No.	Part No.	Description	Qty.	Remarks
1	36 JL00 07	Kit Asly Block Piston	1	Refer Page No. 108
2	36 JU00 01	Kit Piston Ring	1	Refer Page No. 108
3	39 2181 06	Pin - Hollow Dowel 14 X 20	2	
4	JL 5210 02	Gasket Cylinder Block	1	
5	39 2132 17	Ring - Snap	2	

Crankshaft



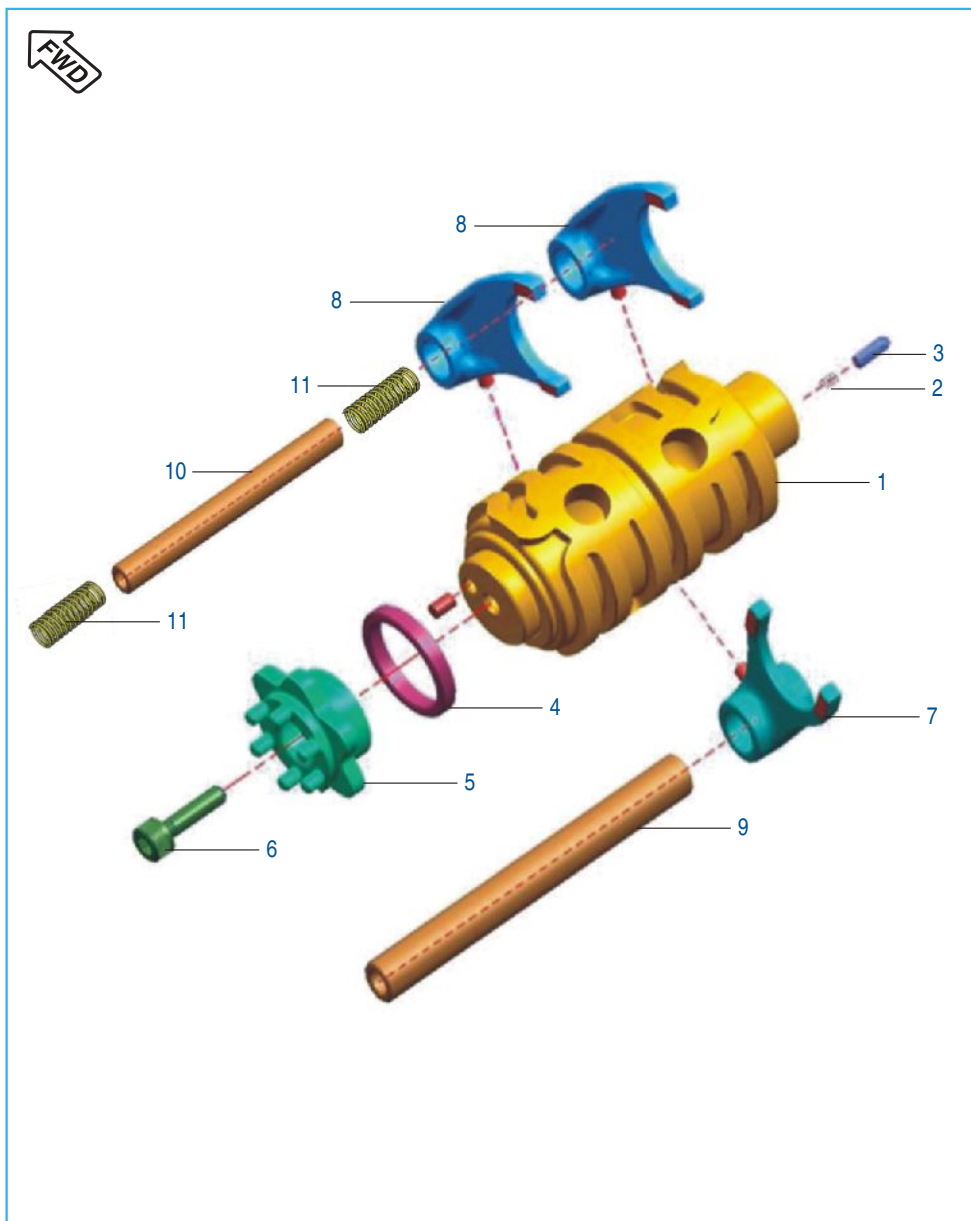
No.	Part No.	Description	Qty.	Remarks
1	JU 5310 27	Crankshaft Assembly Comp	1	
2	39 1931 20	Bearing - Ball 28 X 68 X 18	1	
3	36 JL00 05	Kit Set Primary Drive & Driven Gear	1	Refer Page No. 107
4	39 2165 11	Washer - Plain	2	
5	39 2203 07	Pin - Parallel	2	
6	39 1931 20	Ball Bearing 28 X 68 X 18	1	
7	31 1011 73	Key-Woodruff for Crankshaft Cl. Side	1	
8	JG 5310 27	Sprocket Crankshaft	1	
9	JG 5310 31	Spacer Crankshaft	1	
10	39 2200 11	Washer - Plain (Primary Drive Gear)	1	
11	LC D000 01	Nut Sprocket Drive Lock	1	
12	JG 5310 41	Balancer Drive Gear	1	
13	JG 5310 39	Belleville Washer	1	
14	JG 5310 40	Nut Balancer Drive Lock	1	

Transmission



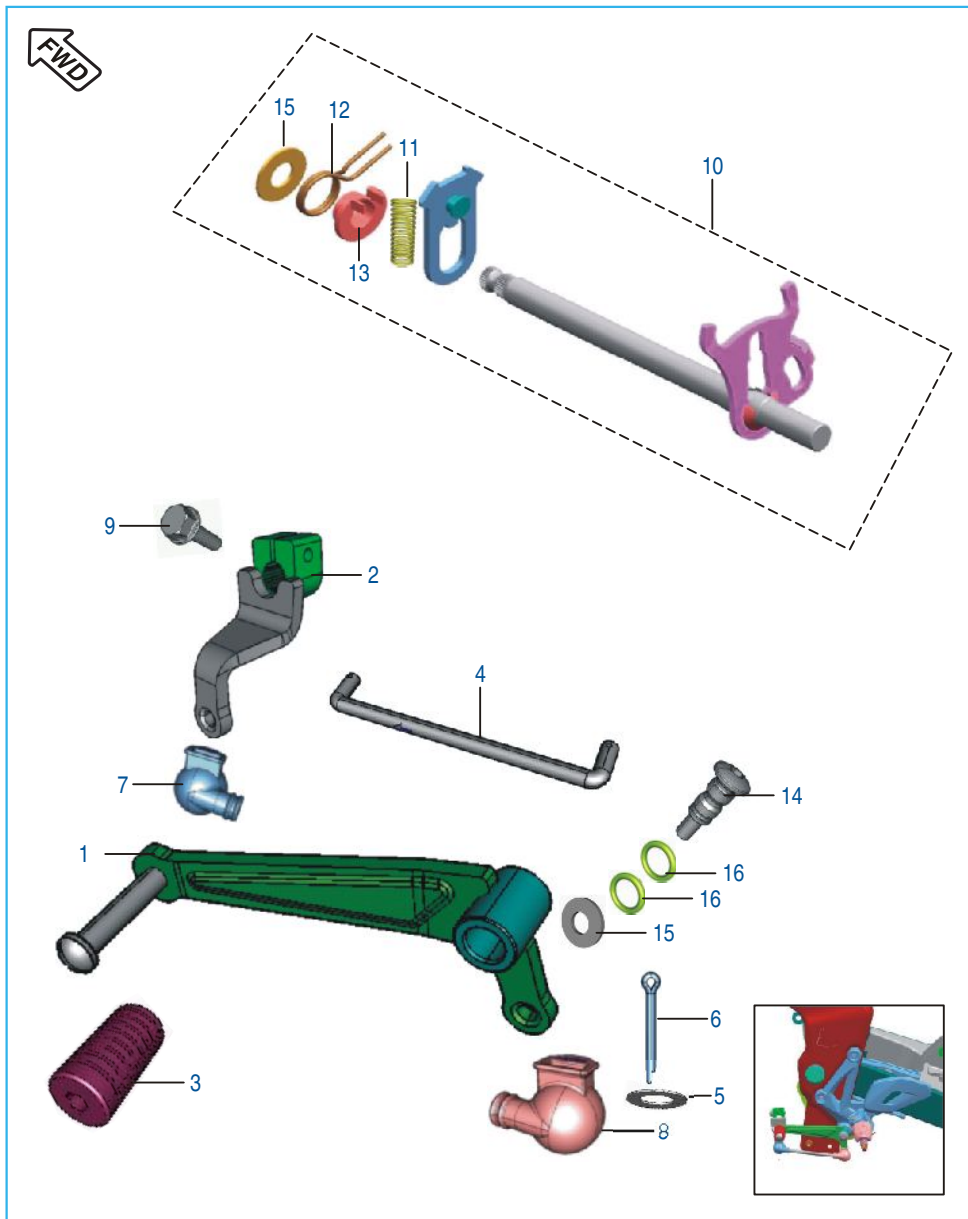
No.	Part No.	Description	Qty.	Remarks
1	JG 5510 27	Shaft Input T/M Comp	1	
2	39 2158 11	Washer - Plain	1	
3	JG 5510 13	Bush 6th Drive / Bush 2nd Driven	1	
4	JG 5512 13	Gear 6th Drive	1	
5	JG 5510 20	Washer Splined	2	
6	BF 5510 37	Ring - Snap	2	
7	JG 5512 14	Gear Drive Multiple 3&4	1	
8	JG 5512 20	Gear 5th Drive	1	
9	JG 5512 27	Gear 2nd Drive	1	
10	JG 5510 22	Washer - Plain	1	
11	JG 5510 25	Output Shaft Assy With Plug	1	
12	DH 1012 35	Circlip	1	
13	DH 1013 36	Washer Special	1	
14	JG 5512 28	Gear 2nd Driven	1	
15	BF 5510 37	Ring - Snap	3	
16	JG 5512 22	Gear 5th Driven	1	
17	JG 5512 23	Gear 3rd Driven	1	
18	JG 5510 20	Spline Thrust Washer	2	
19	JG 5510 21	Lock Washer Splined Thrust	1	
20	JG 5512 15	Gear 4th Driven	1	
21	JG 5512 24	Gear 6th Driven	1	
22	JG 5510 00	Bush 1st Driven	1	
23	JG 5512 25	Gear 1st Driven	1	
24	39 2159 11	Washer - Plain	1	
25	DK 1013 52	O-Ring Sprocket Collar(17.5*1.5)	1	
26	JG 5510 10	Collar Sprocket	1	
27	JG 5510 19	Plate Drive Sprocket	1	
28	LA E000 17	Bolt Flanged M6X1X10L-Precoated	2	
29	DV 1010 48	Sprocket Output (14T)	1	

Change Drum / Shift Fork



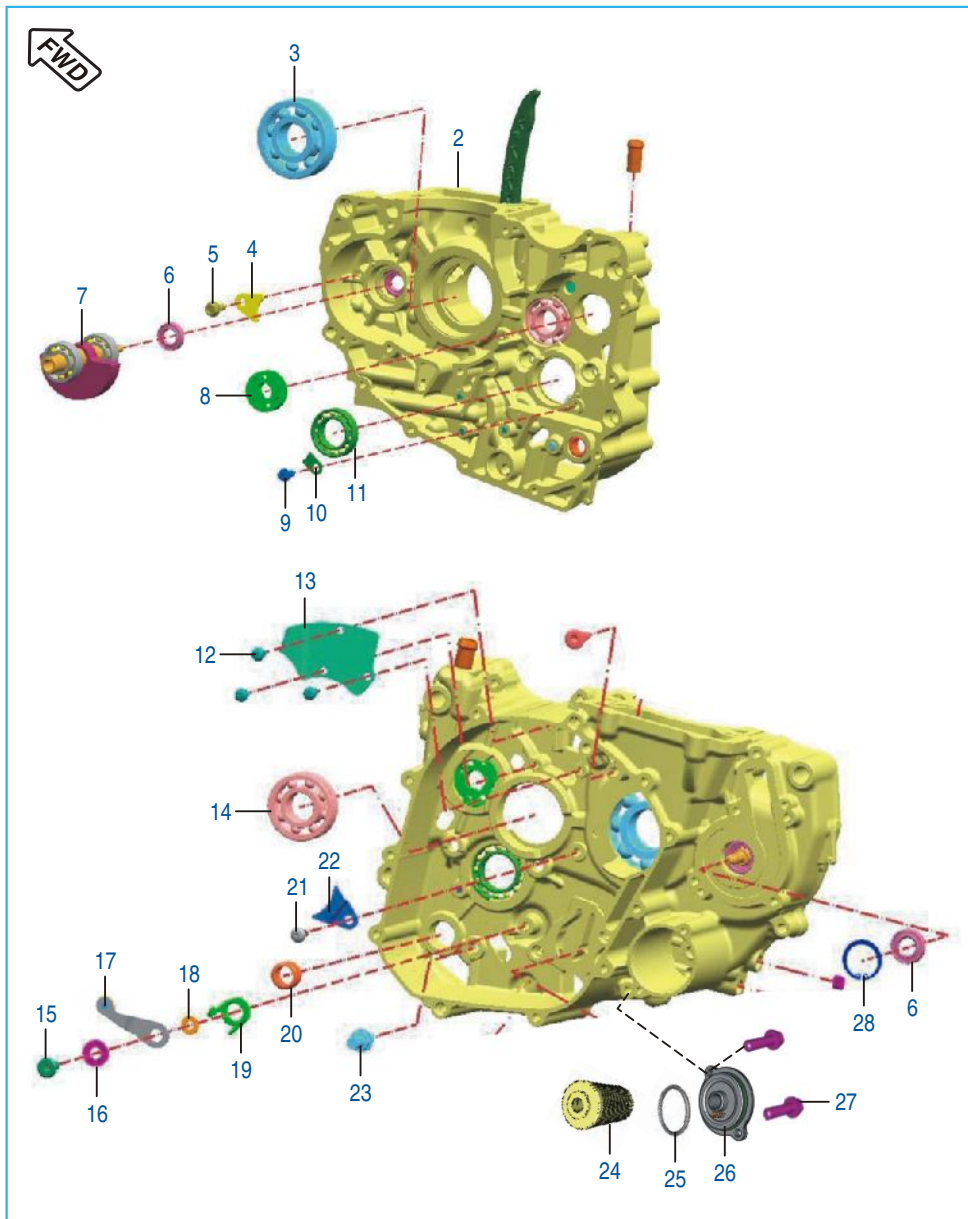
No.	Part No.	Description	Qty.	Remarks
1	JG 5610 11	Drum Complete Gear Shift	1	
2	EC 5610 23	Spring Gear Switch Indicator	1	
3	39 2606 07	Pin - Parallel	1	
4	JG 5610 10	Spacer-Guide Gear Shift	1	
5	JG 5612 22	Guide Gear Shift	1	
6	LA C000 24	Bolt Socket Head M6X1X20L	1	
7	JG 5610 12	Fork Gear Shift Input	1	
8	JG 5610 13	Fork Gear Shift Output	2	
9	JG 5610 16	Shaft Gear Shift Fork	2	
10	JG 5612 25	Shaft Gear Shift Fork Output	1	
11	JG 5612 15	Compression Spring	2	

Gear Change Mechanism



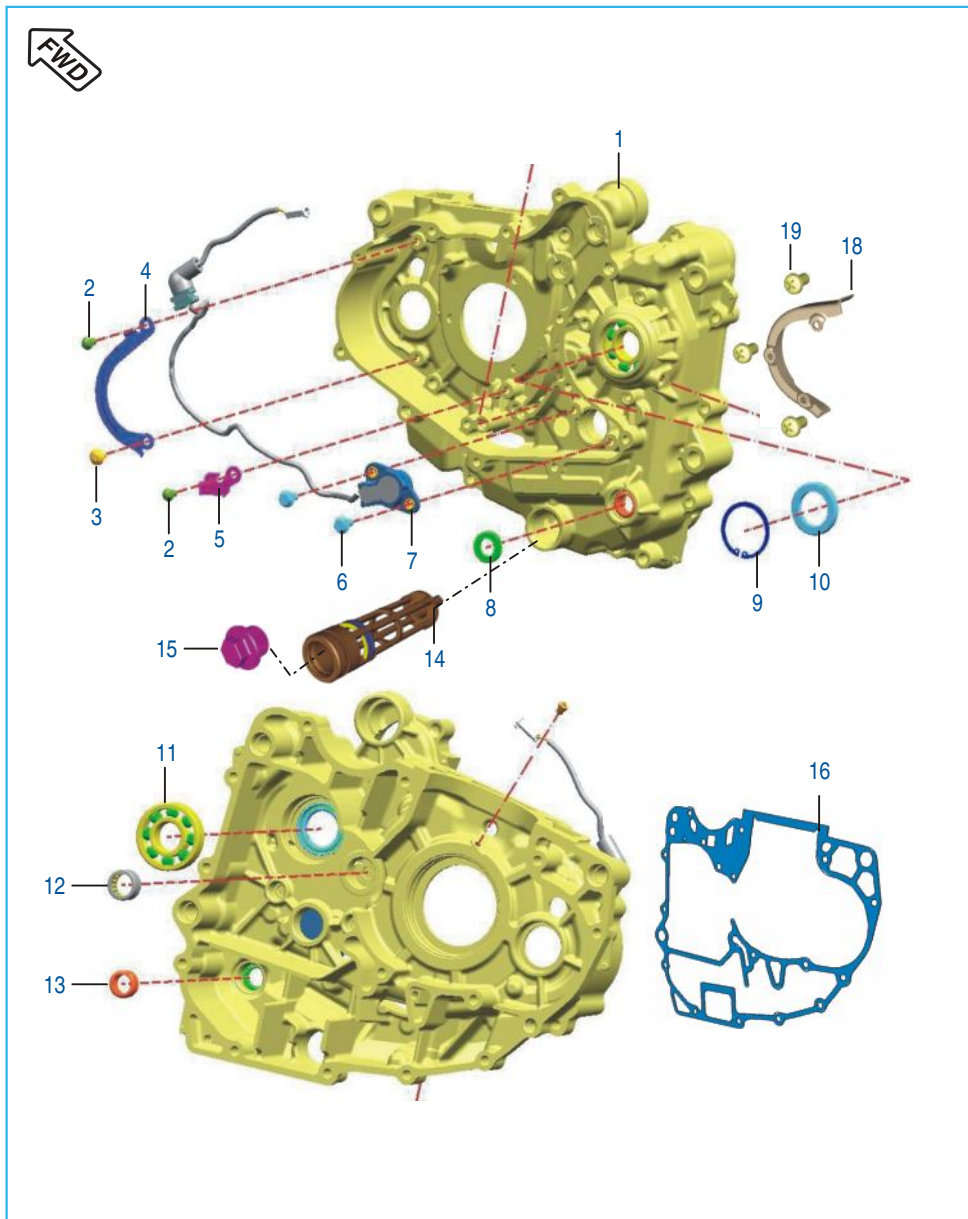
No.	Part No.	Description	Qty.	Remarks
1	JL 5614 01	Lever Complete Change	1	
2	JL 5614 04	Assembly Lever Change Arm	1	
3	DH 1015 09	Damper	1	
4	JL 5614 05	Rod Tie	1	
5	JD 5614 16	Washer - Nylon (Dia6.5Xd15X2.0)	2	
6	39 0808 08	Pin - Split	2	
7	JL 5614 07	Boot -Change Arm	1	
8	JL 5614 08	Boot -Change Lever	1	
9	39 2453 04	Bolt - Flange M6	1	
10	JG 5612 00	Lever Gear Shift Assy Comp.	1	
11	JG 5612 15	Compression Spring	1	
12	JG 5612 18	Torsion Spring	1	
13	JG 5612 17	Bush-Torsion Spring	1	
14	JL 5614 09	Bolt Gear Change Lever	1	
15	JL 5614 10	Washer - Steel	1	
16	01 1100 05	'O' Ring	2	

Engine Assembly / Crankcase RH



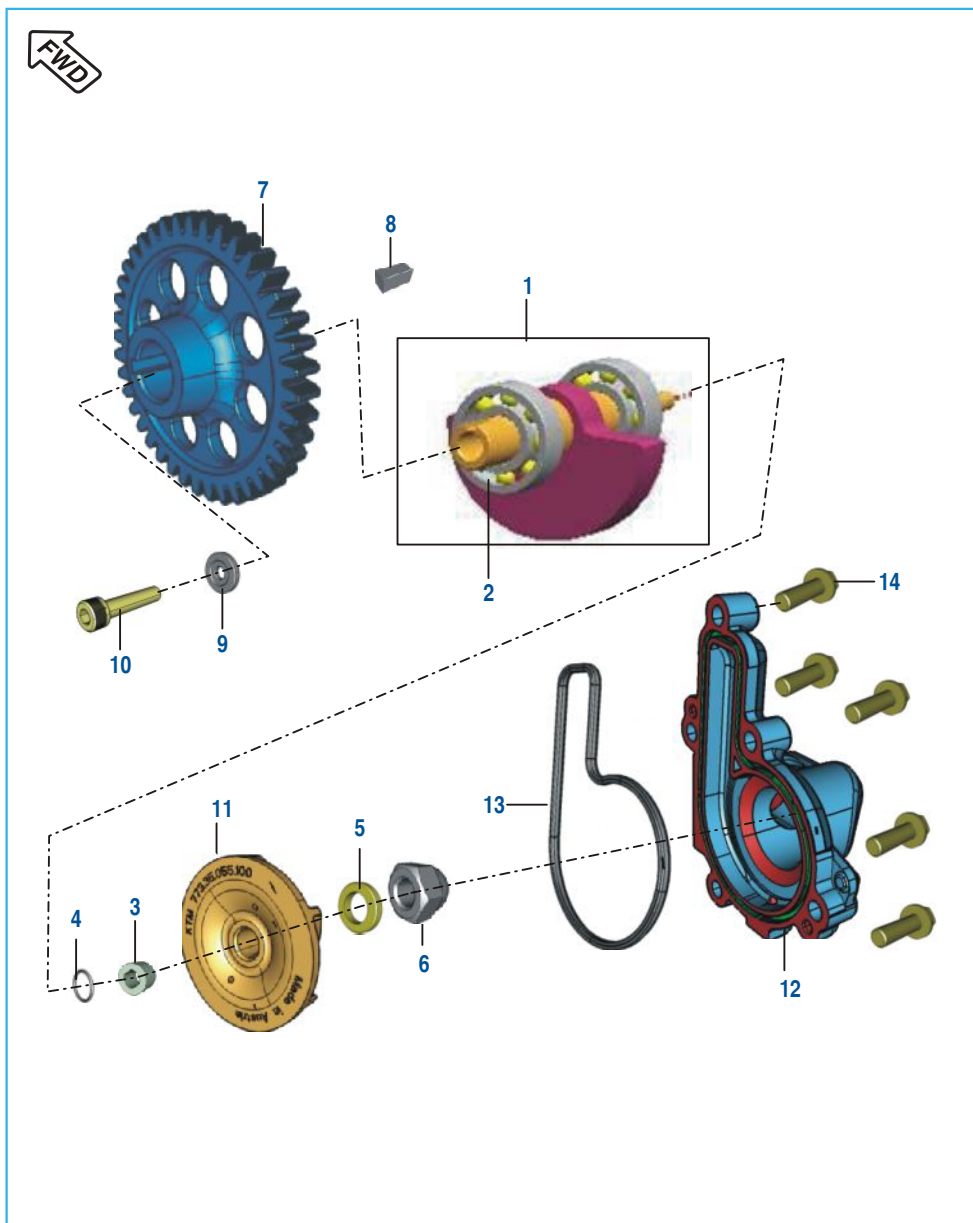
No.	Part No.	Description	Qty.	Remarks
1	JL 5010 03	Assembly Engine 200	1	N.I.
2	36 JL00 04	Kit Asly Crankcase RH	1	Refer Page No. 108
3	39 1931 20	Ball Bearing 28 X 68 X 18	1	
5	LA D000 77	Bolt Flanged M6x16	1	
4	JG 5410 46	Balancer Bearing Stopper	1	
6	JG 6010 07	Special Shaft Seal Ring (oil)	2	
7	JU 5312 13	Balancer Assly.	1	
8	39 2602 20	Bearing - Ball 6202/HN3	1	
9	DH 1013 83	Precoated Flanged Bolt M6	1	
10	JG 5410 59	Plate Stopper Bearing Drum	1	
11	39 2601 20	Bearing - Ball 61905 (25 X 42 X 9)	1	
12	LB B000 06	Screw Pan head	3	
13	JU 5410 05	Breather Plate	1	
14	59 2000 28	Bearing Ball RH	1	
15	JG 5612 04	Bolt Drum Stopper	1	
16	JG 5612 05	Washer	1	
17	JG 5610 09	Stopper Drum Complete	1	
18	39 2005 11	Washer	1	
19	JG 5612 26	Spring	1	
20	39 2562 20	Bearing - Needle Roller 13X19X12	1	
21	39 0746 01	Screw Pan Cross - M6	1	
22	JG 5410 45	Input Shaft Bearing Stopper	1	
23	DP 1011 91	Bolt Shifter	1	
24	JG 5710 14	Oil Filter	1	
25	JG 5710 16	O-Ring	1	
26	JL 5412 21	Cap Oil Filter	1	
27	KA DP05 16	Hexagonal Flange Bolt	2	
28	LE B000 01	Circlip Internal	1	

Crankcase LH



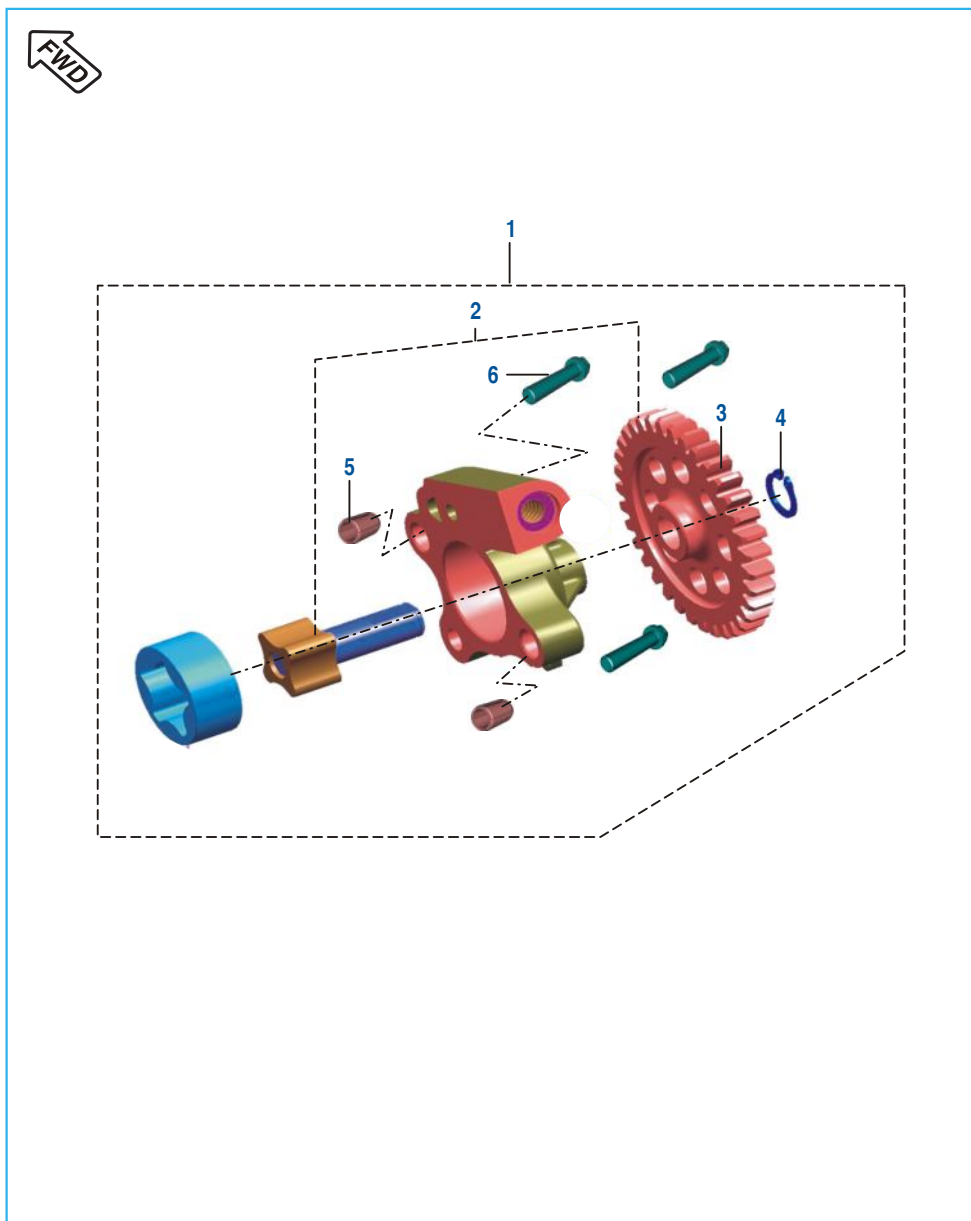
No.	Part No.	Description	Qty.	Remarks
1	36 JL00 03	Kit Assly. Crankcase LH	1	Refer Page No. 107
2	LA E000 14	Bolt Flanged	2	
3	DH 1013 81	Pre Coated pan Screw	1	
4	JG 5410 63	Bracket Harness Upper	1	
5	JG 5410 44	Bracket Harness Lower	1	
6	39 1773 04	Bolt M-5 x 16	2	
7	JL 3518 00	Neutral Indicator Switch	1	
8	39 1043 19	Seal Oil	1	Gear Change lever
9	KE BA37 15	Circlip Internal	1	Output Shaft
10	DG 1014 56	Seal Oil	1	Output Shaft
11	59 2000 06	Bearing Ball	1	Output Shaft
12	JG 5410 15	Needle Bearing	1	Drum
13	39 2562 20	Needle Bearing	1	
14	JG 5710 24	Mesh Oil Filter Assly (Strainer)	1	
14A	LJ A000 04	'O' Ring Strainer	1	
15	JA 5410 48	Strainer Cap with 'O' Ring	1	
16	JG 5410 41	Gasket Crankcase	1	
17	36 JL00 14	Kit Engine Gasket	1	Refer Page No. 107
18	JG 5410 58	Chain Guard	1	D-52 dated 11/02/2013
19	KB BG06 12	Pan Head Screw	3	D-52 dated 11/02/2013

Balancer Idler Gear / Water Pump



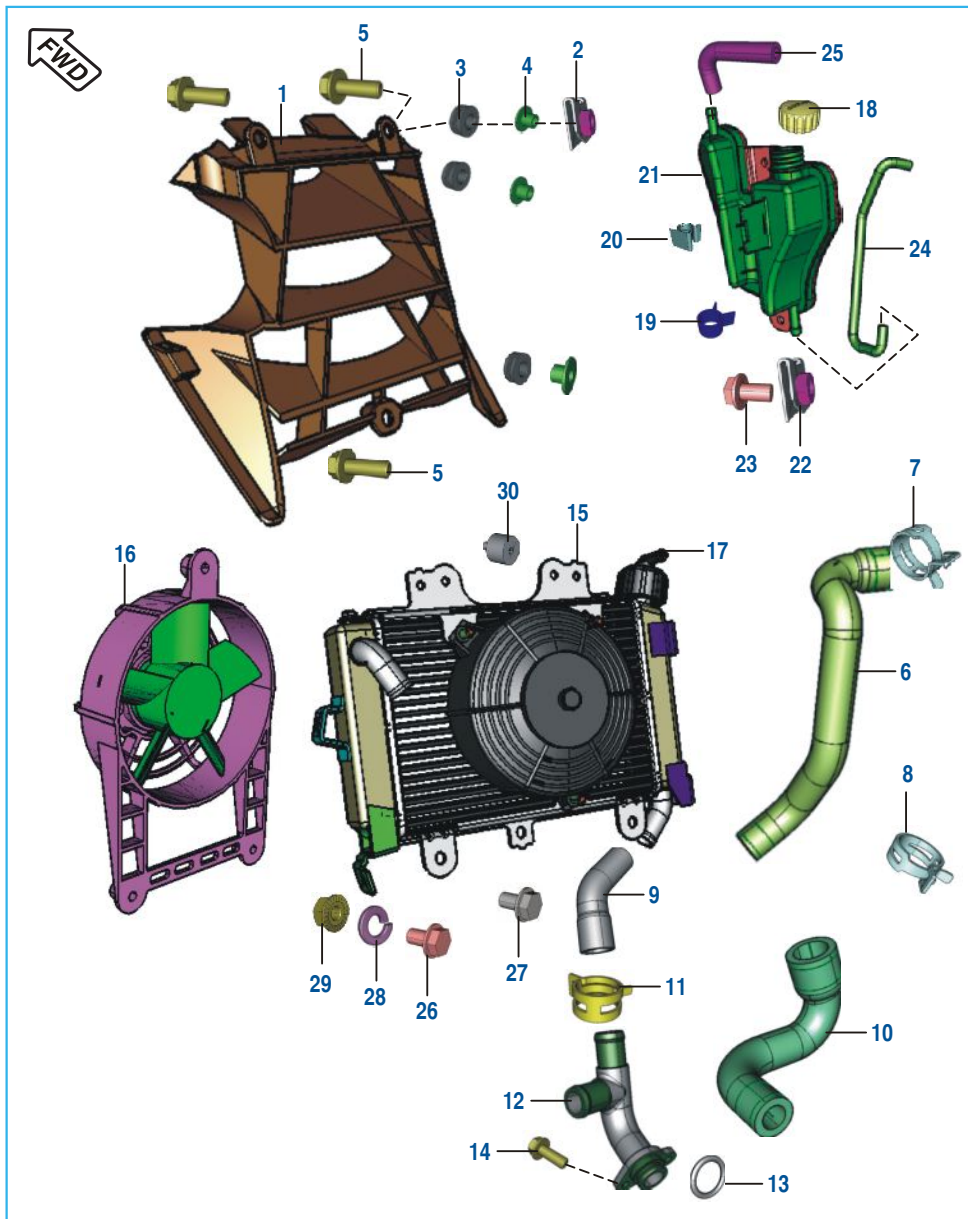
No.	Part No.	Description	Qty.	Remarks
1	JU 5312 13	Balancer Assy	1	
2	59 2000 36	Balancer Bearing (6203/HN3C3D8)	2	
3	JG 5312 11	Sleeve Balancer Driven	1	
4	JG 5312 12	O Ring Balancer Driven	1	
5	JG 5312 15	Washer (2.5MM)	1	
6	JG 6010 05	Dome Nut	1	
7	JG 5312 07	Gear Balancer Driven	1	
8	DS 1011 54	Key	1	
9	DH 1010 48	Washer - Special Camshaft	1	
10	DK 1013 86	Pre-coated Soc Hd Cap Bolt M8X40	1	
11	JG 6010 13	Water Pump Rotor	1	
12	JG 6010 11	Cover Water Pump	1	
13	JG 6010 12	O-Ring (Water Pump Cover)	1	
14	KA Dq06 20	Bolt Hexagonal	5	
15	39 1665 11	Washer - Seal	1	N.I.
16	39 2606 07	Pin - Parallel	2	N.I.

Oil Pump



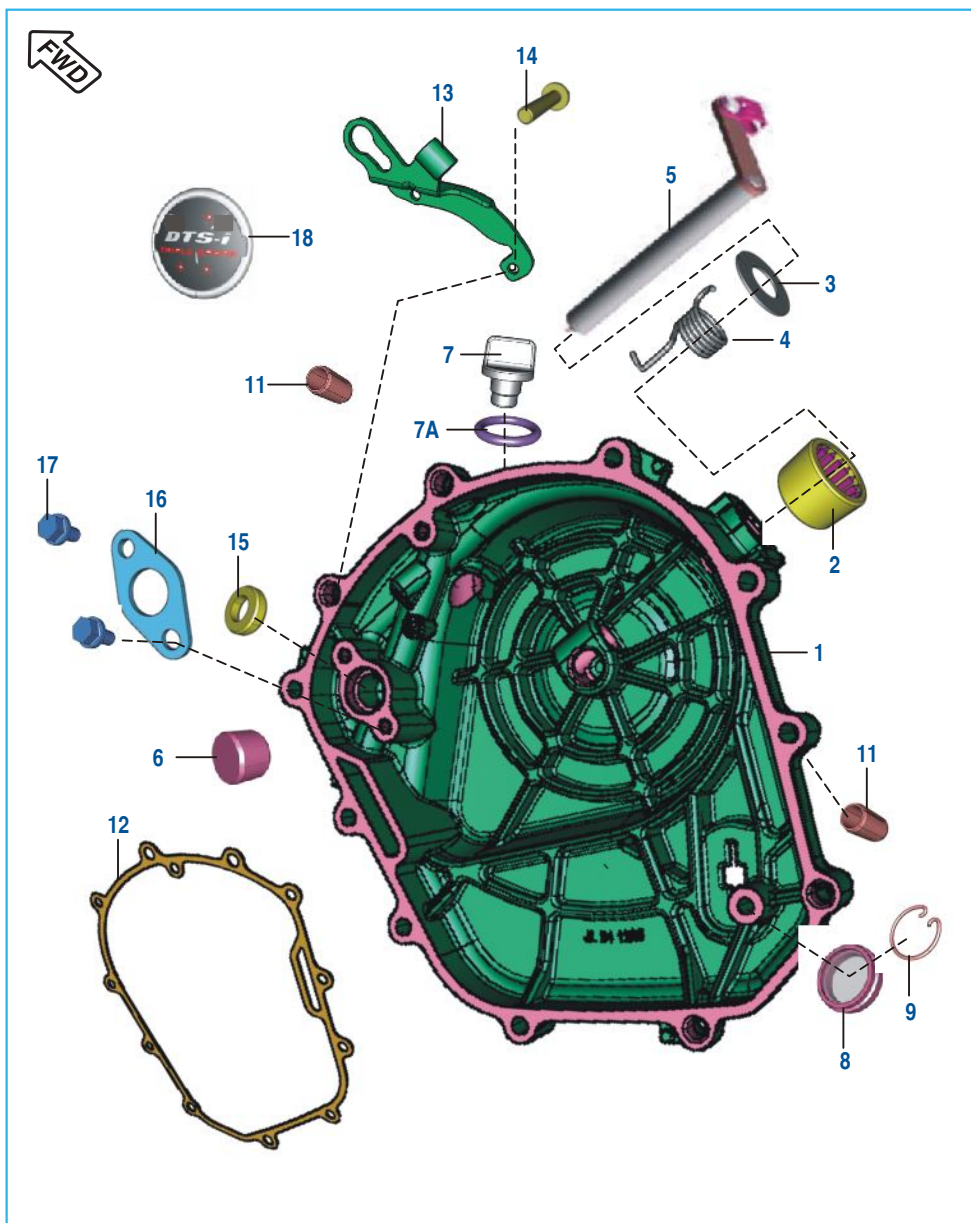
No.	Part No.	Description	Qty.	Remarks
1	JU 5710 00	Oil Pump Assy Comp	1	
2	36 JG00 04	Shaft Oil Pump Assy	1	
3	JG 5710 18	Gear Oil Pump Drive	1	
4	KE AA11 10	Circlip	1	
5	39 0999 06	Pin - Hollow Dowel	2	
6	LA E000 18	Bolt Flanged M6X1X30L-Precoated	3	

Radiator



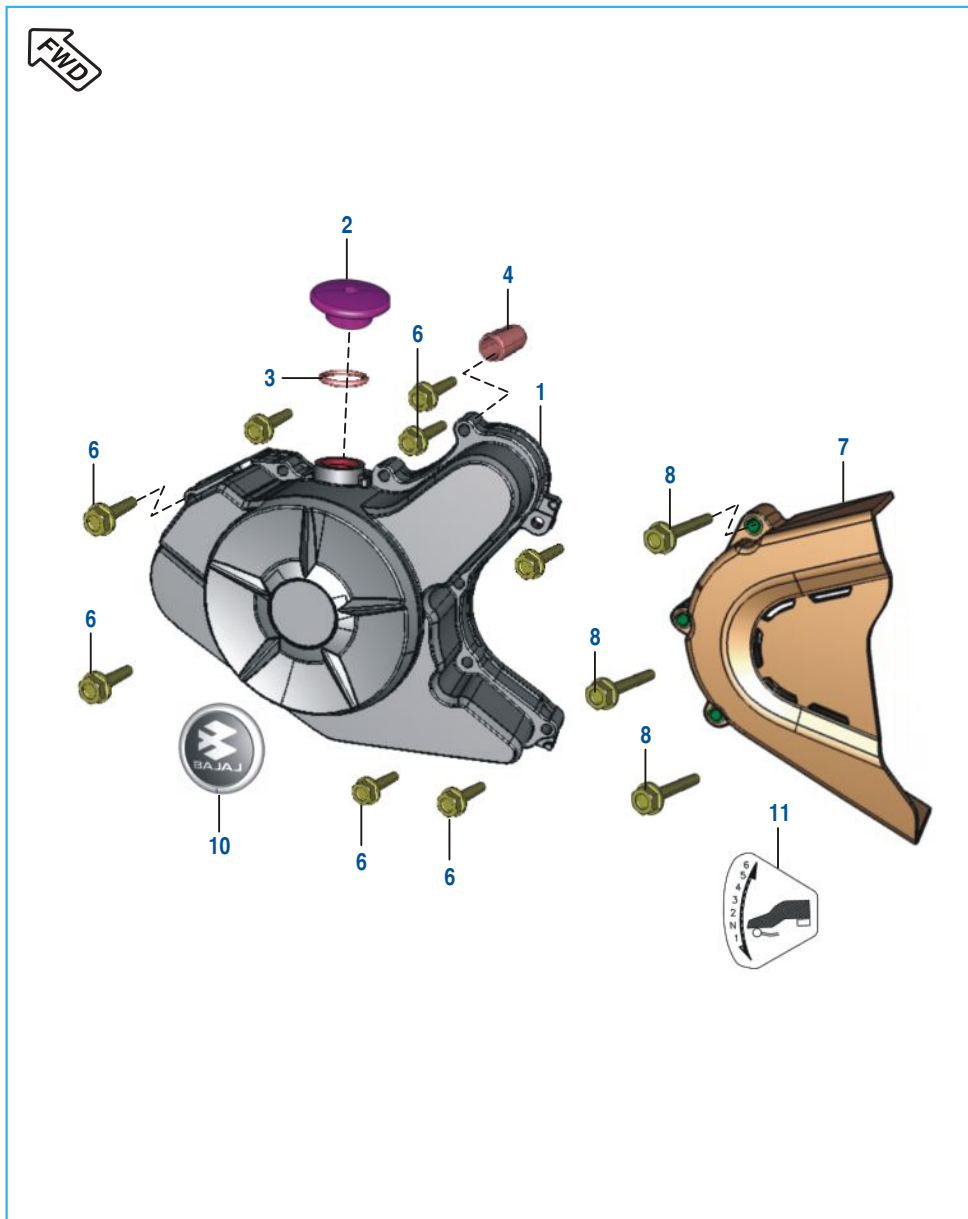
No.	Part No.	Description	Qty.	Remarks
1	JL 6012 10	Cowl Radiator	1	
2	DJ 1810 65	Nut - Clip M6	3	
3	JL 1812 56	Grommet For Radiator Cowl	3	
4	JW 1710 15	Collar Spoiler Central	3	
5	KA DA06 16	Bolt-Flange Dia-06 L-12	3	Alt. 39194404
6	JL 6010 00	Hose Thermostat To Radiator	1	
7	JG 6012 10	Clamp Radiator Pipe	1	
8	JG 6012 09	Clamp Radiator Pipe Dia 19.8	2	
9	JL 6012 20	Coolant Hose Radiator To T	1	
10	JL 6012 19	Hose By Pass To Pump	1	
11	JL 6012 12	Clamp Radiator Dia 19	1	
12	JL 6012 08	Coolant Pipe T Assembly	1	
13	JG 6012 21	O-Ring Coolant Pipe	1	
14	39 2204 04	Bolt - Hexagon Head With Flange M6	2	
15	JL 6012 00	Radiator	1	
16	JG 6014 00	Radiator Fan	1	
17	JG 6012 29	Pressure Cap Radiator	1	
	JG 6012 35	Pressure Cap Radiator	1	D-53 dated 19/02/2013
18	JG 6012 11	Cap Expansion Tank	1	
19	JL 6012 15	Clamp -Expansion Tank	2	
20	JG 1710 29	Spring Band Clip 10 Mm	3	
21	JL 6012 09	Tank Expansion	1	
22	DJ 1810 65	Nut - Clip M6	2	
23	39 1944 04	Bolt - Flanged	2	
24	JL 6012 13	Hose -Expansion Tank	1	
	JL 6012 27	Hose -Expansion Tank	1	D-53 dated 19/02/2013
25	JL 6012 14	Hose -Expansion Tank Top	1	
26	LA D000 40	Bolt Flanged M6 - 6L	3	
27	39 1551 04	Bolt - Flange	1	
28	39 0732 12	Washer - Spring	4	
29	39 2711 15	Nut - Flange M6 X 1P	4	
30	JG 5810 14	Silent Block	4	

Cover Clutch



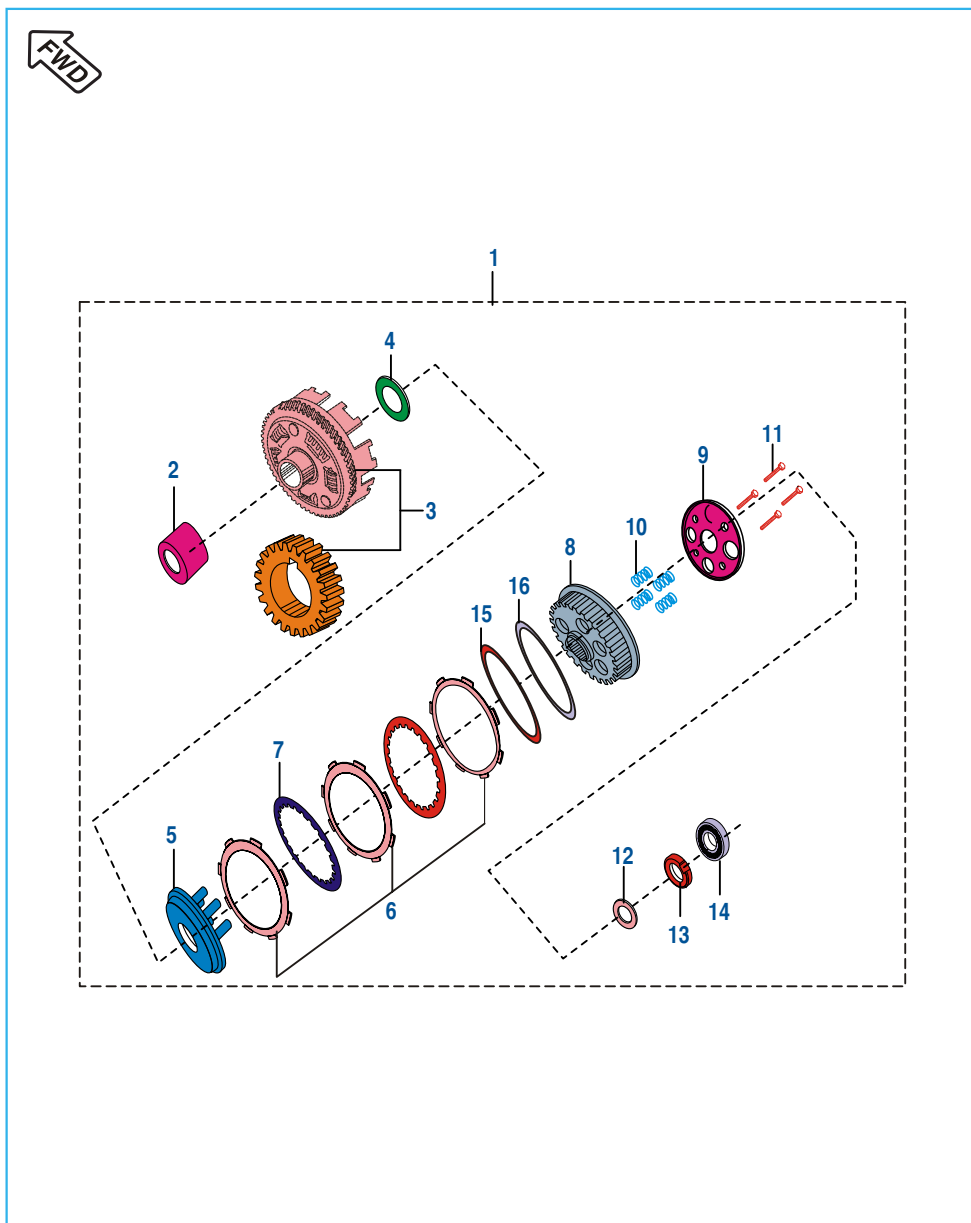
No.	Part No.	Description	Qty.	Remarks
1	36 JL00 02	Kit Asly Clutch Cover	1	Refer Page No. 108
	52 JL00 73	Clutch Cover Assly Complete	1	In place of 36JL0002
2	39 1990 20	Bearing - Needle	1	
3	LD B000 20	Washer 12.5X24X0.8T	1	
4	JG 5510 17	Spring	1	
5	JG 5510 15	Shaft Clutch Release Assy	1	
6	JU 5514 01	Rod Push	1	
7	JG 5412 30	Cap Oil Filling	1	
7A	39 1537 21	Ring 'O'	1	
8	DG 1014 18	Gauge	1	
9	DS 1012 15	Clip - Wire	1	
10	39 1041 19	Seal - Oil	1	N.I.
11	39 0999 06	Pin - Hollow Dowel	2	
12	JL 5412 07	Gasket Clutch Cover	1	
13	JL 5412 10	Bracket Clutch Cable	1	
14	KA DQ06 30	Bolt Flanged	11	
15	39 1046 19	Seal - Oil	1	
16	JG 5412 31	Plate -position	1	
17	DH 1013 83	Bolt M6	2	
18	JL 5412 22	Decal Triple Spark	1	
19	JL 5412 18	Jet Oil Clutch Cover	1	N.I.

Cover Magneto



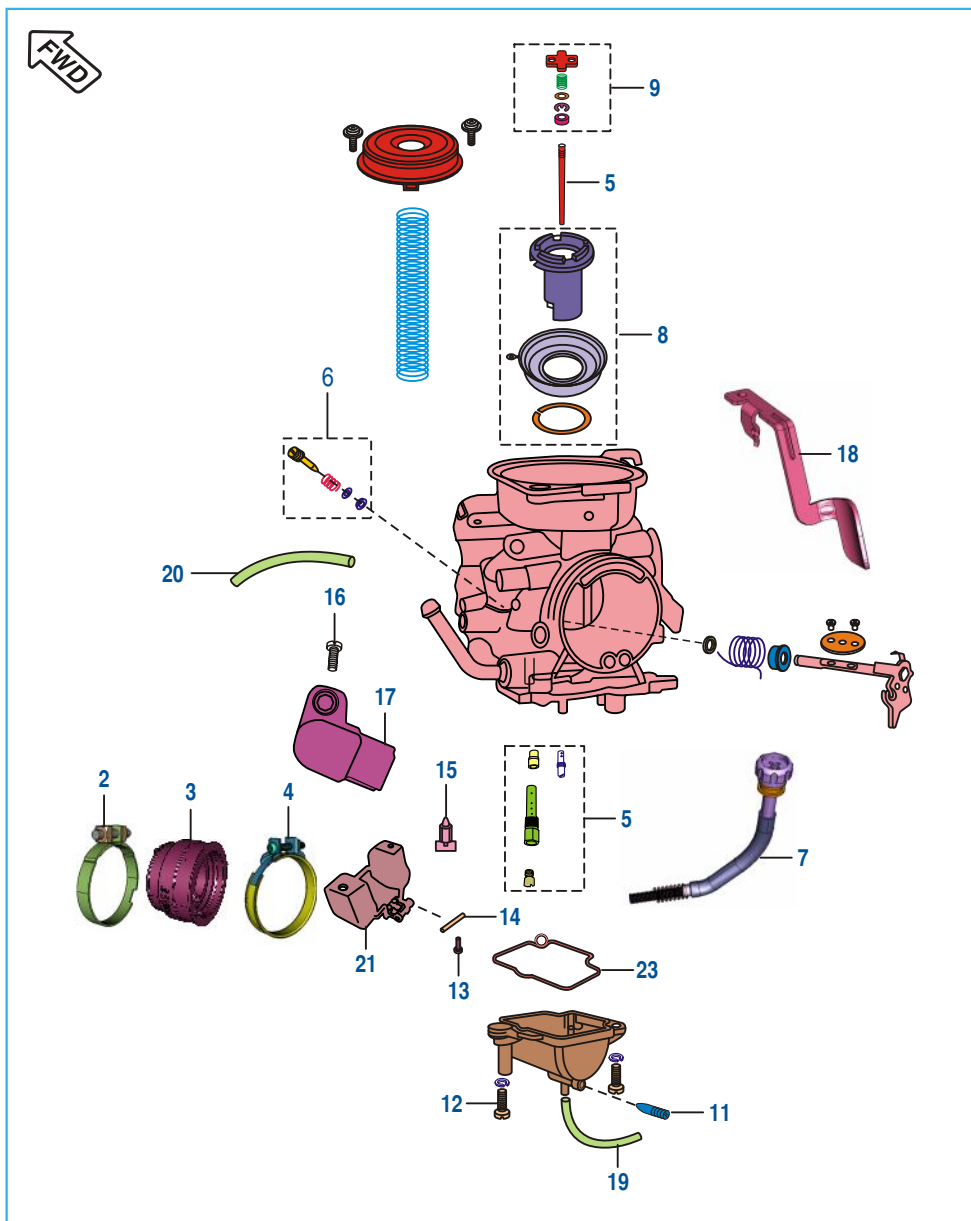
No.	Part No.	Description	Qty.	Remarks
1	JL 5412 02	Cover Magneto	1	
2	JA 5412 33	Cap TDC Finder	1	
3	30 1011 95	Ring - O	1	
4	39 0999 06	Pin - Hollow Dowel	2	
5	JL 5412 08	Gasket Magneto Cover	1	
6	KA DQ06 30	Bolt Flanged	9	
7	JL 5412 03	Cover LH RR	1	
8	KA DQ06 45	Hex Headed Bolt Flange	3	
9	JL 2330 15	Gear Shift Label	1	
10	JL 5412 23	Decal 'Bajaj logo'	1	
11	JL 2330 15	Gear Shift Label-6 Speed	1	

Clutch Assly



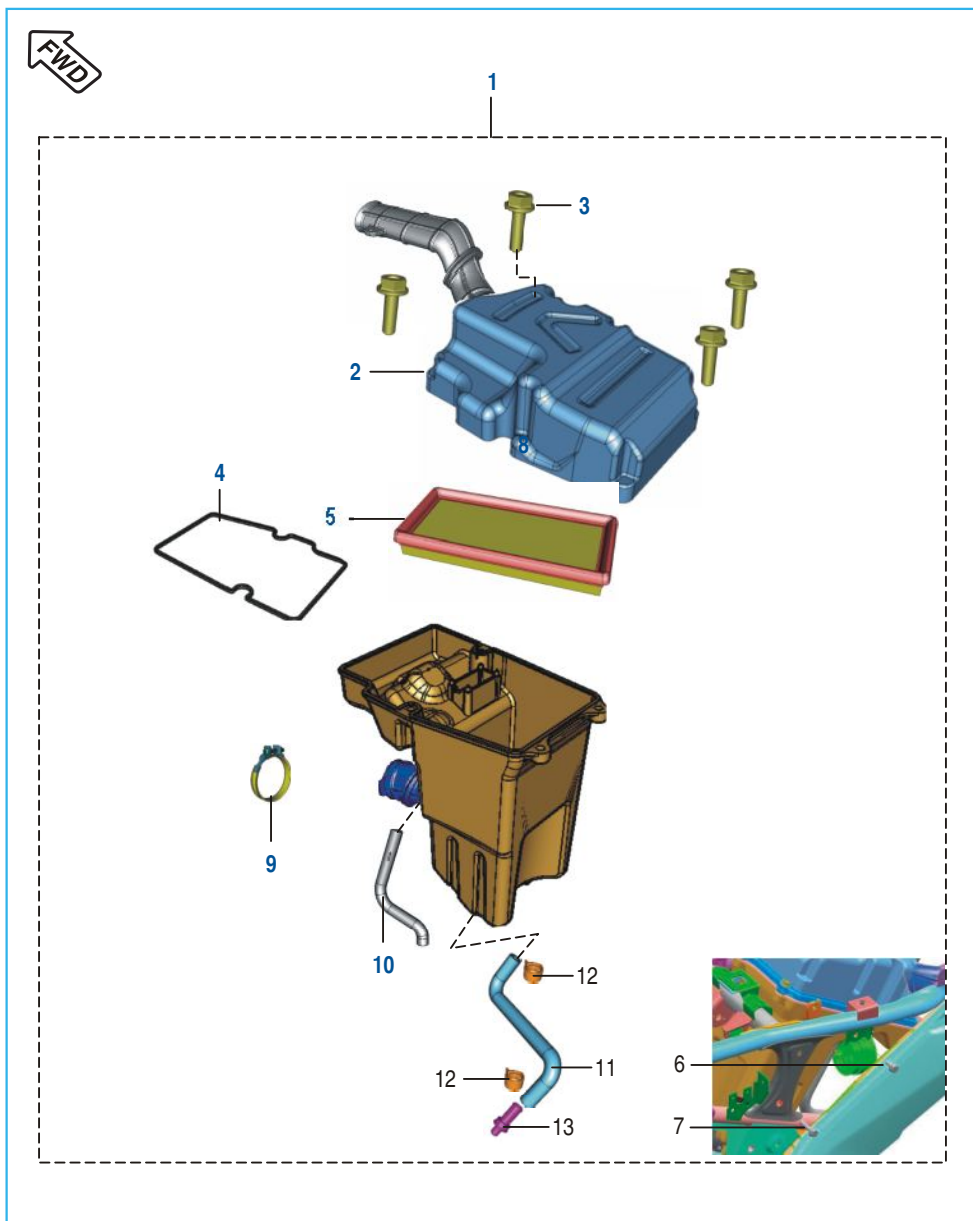
No.	Part No.	Description	Qty.	Remarks
1	JU 5514 04	Clutch Assy Comp	1	
2	JG 5514 27	Collared Bush	1	
3	36 JL00 05	Kit Set Primary Drive & Driven Gear	1	Refer Page No. 107
4	JG 5514 28	Washer Clutch	1	
5	JG 5514 49	Plate (Wheel Clutch)	1	
6	36 JU00 02	Kit Friction Plate	1	Refer Page No. 108
7	JG 5514 47	Pressure Plate	5	
8	JG 5514 43	Clutch Holder (Hub Clutch)	1	
9	JU 5514 06	Clutch Center (Holder Clutch)	1	
10	JU 5514 02	Spring -Clutch	4	
11	JG 5514 51	Bolt 6*22	4	
12	39 2200 11	Washer - Plain (Primary Drive Gear)	1	
13	DH 1016 48	Nut Clutch Center Lock (Pre-coated)	1	
14	JG 5514 23	Clutch Lifter Bearing	1	
15	DP 1011 43	Plate Judder Spring	1	
16	DP 1011 14	Spring Anti Judder	1	

Carburettor



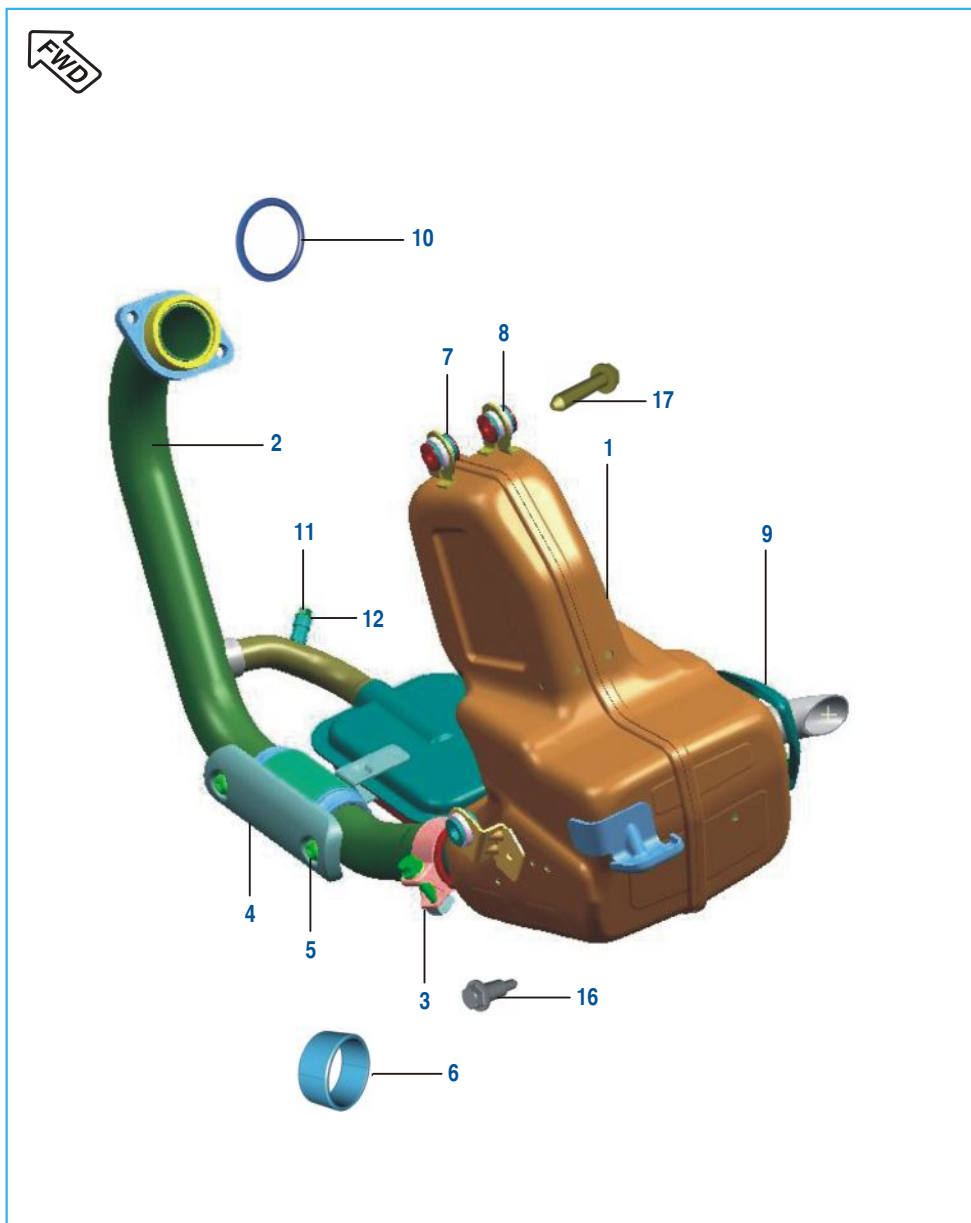
No.	Part No.	Description	Qty.	Remarks
1	JL 5812 01	Carburettor	1	
2	JL 5813 00	Clamp (Duct Carburettor)	1	
3	JL 5110 16	Insulator Rubber	1	
4	JL 5810 27	Clamp	1	
5	36 JL00 19	Kit Jet P200	1	Refer Page No. 108
6	36 JL00 20	Kit VC Screw P200	1	Refer Page No. 109
7	36 JL00 21	Kit Idling Screw	1	Refer Page No. 109
8	36 JL00 22	Kit Piston Valve P200	1	Refer Page No. 108
9	36 JL00 24	Kit Jet Needle Hardware P200	1	Refer Page No. 109
10	36 JL00 23	Kit Gasket / O-ring P200	1	Refer Page No. 109
11	JA 5813 14	Drain Screw	1	
12	CB 1210 42	Float Chamber Screw	2	
13	DH 1210 64	Screw Needle Shaft	1	
14	DH 1210 63	Float Needle	1	
15	DK 1210 47	Needle Assly.	1	
16	39 1780 01	Screw Pan - M5	2	
17	JD 3518 00	TPS Assly.	1	
18	JL 5812 04	Choke Lever	1	
19	JL 5812 05	Tube Drain Carb.	1	
20	JL 5812 06	Tube Breather	1	
21	DK 1210 45	Float Assembly	1	
22	JG 5814 42	Clamp Intake Pipe	1	
23	DK 1210 58	Gasket Float Chamber	1	

Air Cleaner Complete



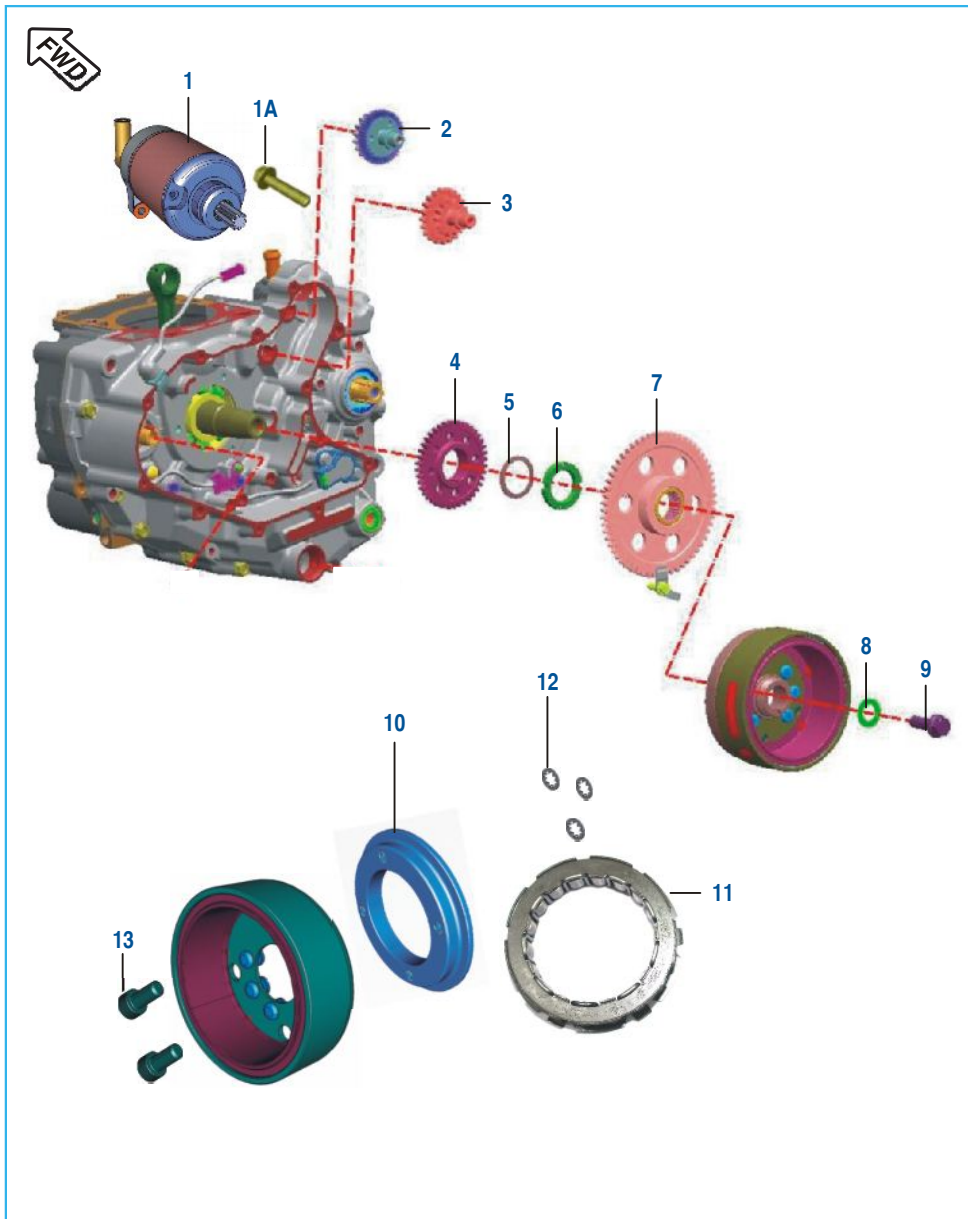
No.	Part No.	Description	Qty.	Remarks
1	JL 5810 00	Air Filter Assembly	1	
2	JL 5810 23	Assembly Top Cover	1	
3	KA EM06 22	Bolt-Flange	4	
4	JL 5810 25	Seal Top Cover	1	
5	JL 5810 09	Filter Element	1	
6	KA DM06 10	Bolt Flange M6-L10mm	1	RH Mounting
7	KA DA06 30	Bolt Flange M6-L33mm	1	RH Mounting
8	39 0239 11	Plain Washer	2	N.I. RH Mounting
9	JG 5812 42	Clamp	1	
10	JL 5810 16	Tube Breather Assly	1	
11	JL 5810 15	Tube Drain Assembly	1	
12	DG 1210 02	Clamp	2	
13	DS 1211 26	Plug	1	

Silencer Assembly



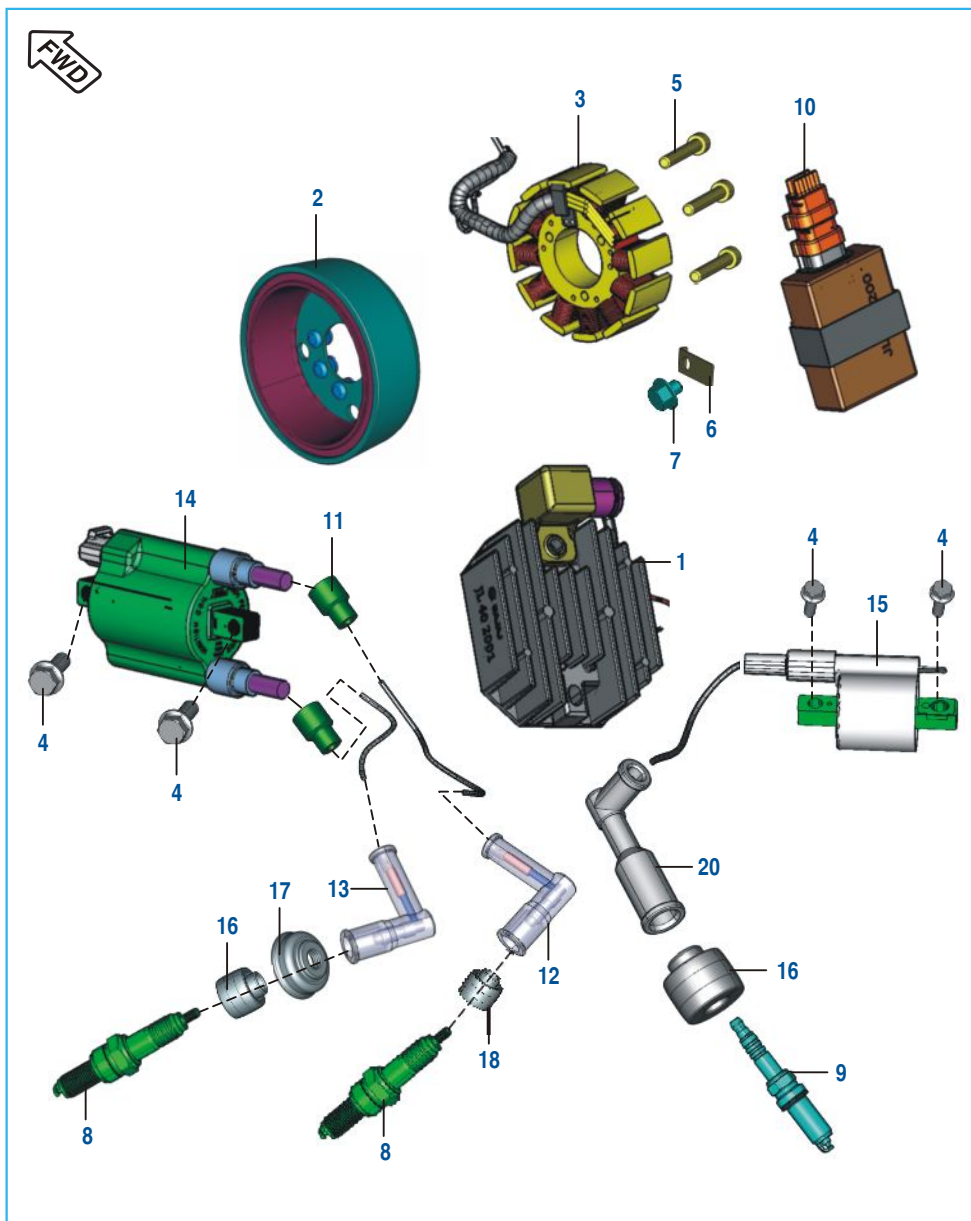
No.	Part No.	Description	Qty.	Remarks
1	JL 5910 52	Assembly Muffler W/O Shield	1	
2	JL 5910 48	Pipe Exhaust Assly W/O Shield	1	
3	JG 5910 38	Band Clip	1	
4	JL 5911 44	Shield Catalytic Converter	1	
5	DH 1016 07	Truss Screw	4	
6	JG 5910 39	Gasket Muffler Pipe-A	1	
7	JG 5910 96	Bush Silencer Mounting	4	
8	JG 5910 97	Damper Silencer Mounting	4	
9	JL 5910 75	Heat Shield	1	
10	JG 5910 70	Gasket Exhaust	1	
11	39 2754 04	Bolt Hex	1	
12	39 2492 11	Plain Washer	1	
13	JG 5910 53	Damper Silencer Mounting	4	
14	KA DQ06 25	Bolt M6	2	
15	JG 5910 88	Clip Nut M6	2	
16	JL 5910 86	Bolt Stepped	2	
17	JL 5911 48	Bolt Hex Flange	2	

Starter Assembly



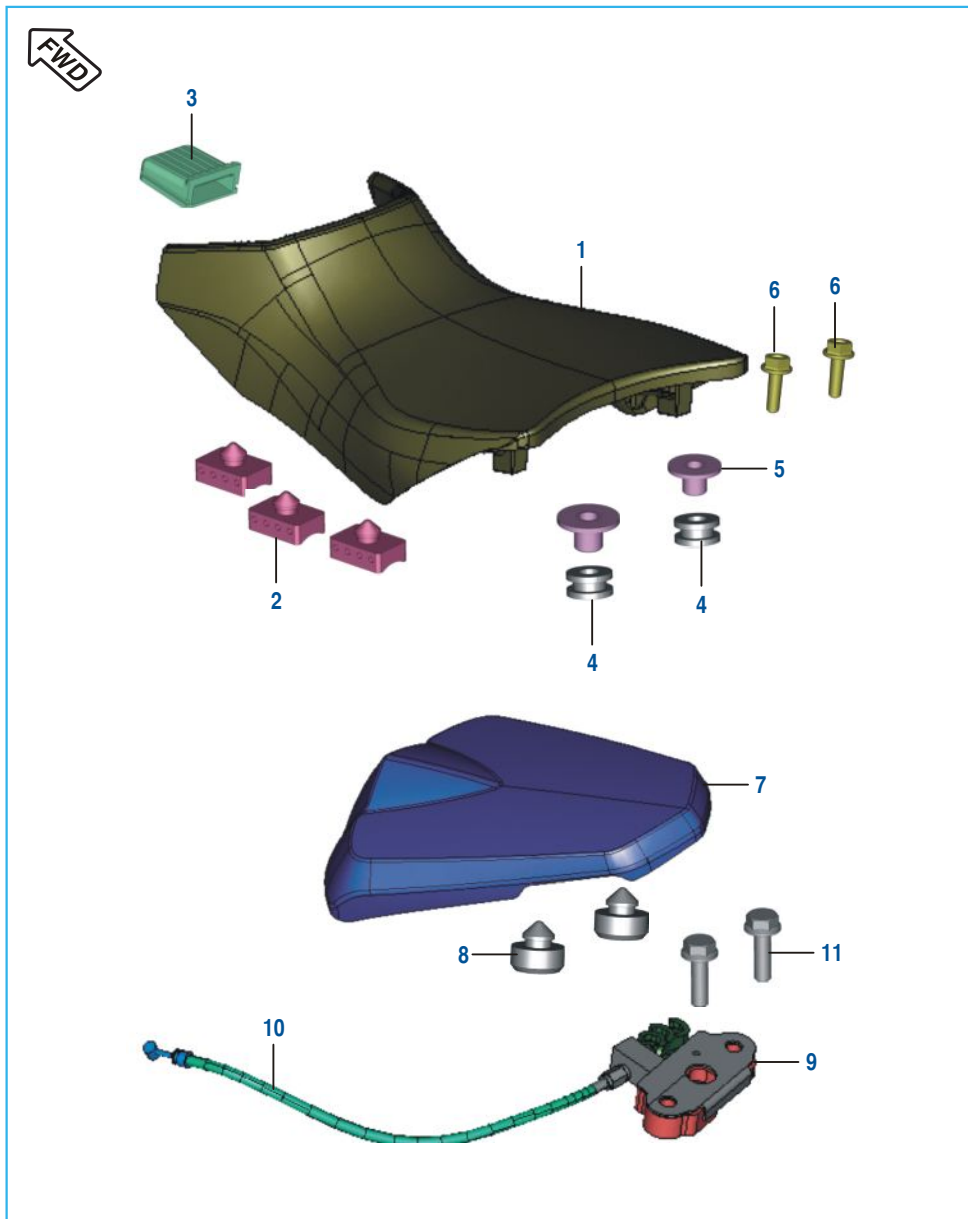
No.	Part No.	Description	Qty.	Remarks
1	JL 3516 00	Starter Motor Assly.	1	
1A	KA DQ06 25	Bolt M6-Motor mtg.	2	N.I.
2	JG 6214 13	Gear Starter Counter 2 Assy	1	
3	JG 6214 12	Gear Starter Counter 1	1	
4	JG 5310 41	Balancer Drive Gear	1	
5	JG 5310 39	Belleville Washer	1	
6	JG 5310 40	Nut Balancer	1	
7	JG 6214 17	Assembly Gear Starter Clutch	1	
8	39 2165 11	Plain Washer	1	
9	DH 1013 96	Hex Bolt Flanged	1	
10	JG 3510 19	Body Complete Starter Clutch	1	
11	JY 5514 02	Clutch One Way Assly	1	
12	39 0849 14	Washer - Lock Toothed	4	
13	DH 10 13 89	Pre-coated Screw	4	
14	JA 3516 27	'O' Ring Starter Motor	1	N.I.

Magneto, CDI & H.T. Coil



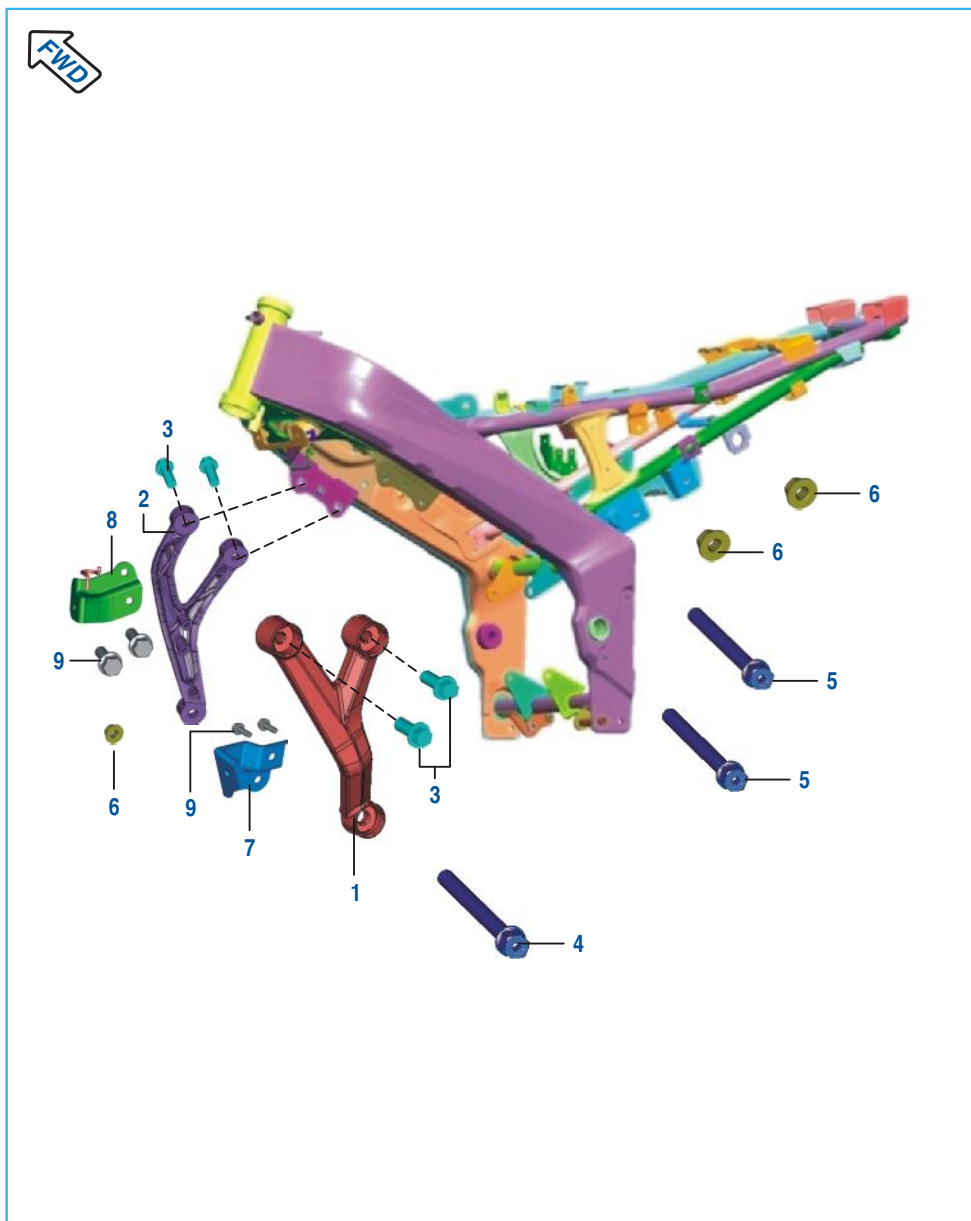
No.	Part No.	Description	Qty.	Remarks
1	JL 4020 01	Regulator Assly	1	
2	JL 3510 09	Rotor Assy. (W/O Clutch Assy)	1	
3	JL 3510 03	Stator Assly Compl	1	
4	39 1944 04	Bolt - Flanged	4	HT Coil Mtg.
5	DK 1012 84	Hex Socket Head Screw(M5X0.8X35)	3	
6	DH 1011 99	Plate - Stopper (Wiring Harness)	1	
7	LA E000 10	Bolt Flange M5 X 13L	2	
8	DK 1110 28	Spark Plug RG6HCC	2	
9	JG 3512 09	Ignition Spark Plug	1	
10	JL 3512 00	DC CDI With Sealed Coupler	1	
11	DD 1110 12	Grommet For H. T. Cable	2	
12	JD 3512 07	Spark Plug Cap	1	
13	AN 1110 15	Spark Plug Cap	1	
14	JL 3512 01	Ignition Coil with Cable LH	1	Twin Output
15	JL 3512 02	Ignition Coil with Cable RH	1	
16	DH 1110 13	Grommet - Spark Plug	2	
17	DH 1110 16	Grommet - Sleeve Spark Plug	1	
18	DD 1110 11	Grommet - Spark Plug Cap	1	
20	DK 1110 11	Cap Spark Plug	1	

Seat Assembly / Seat Lock



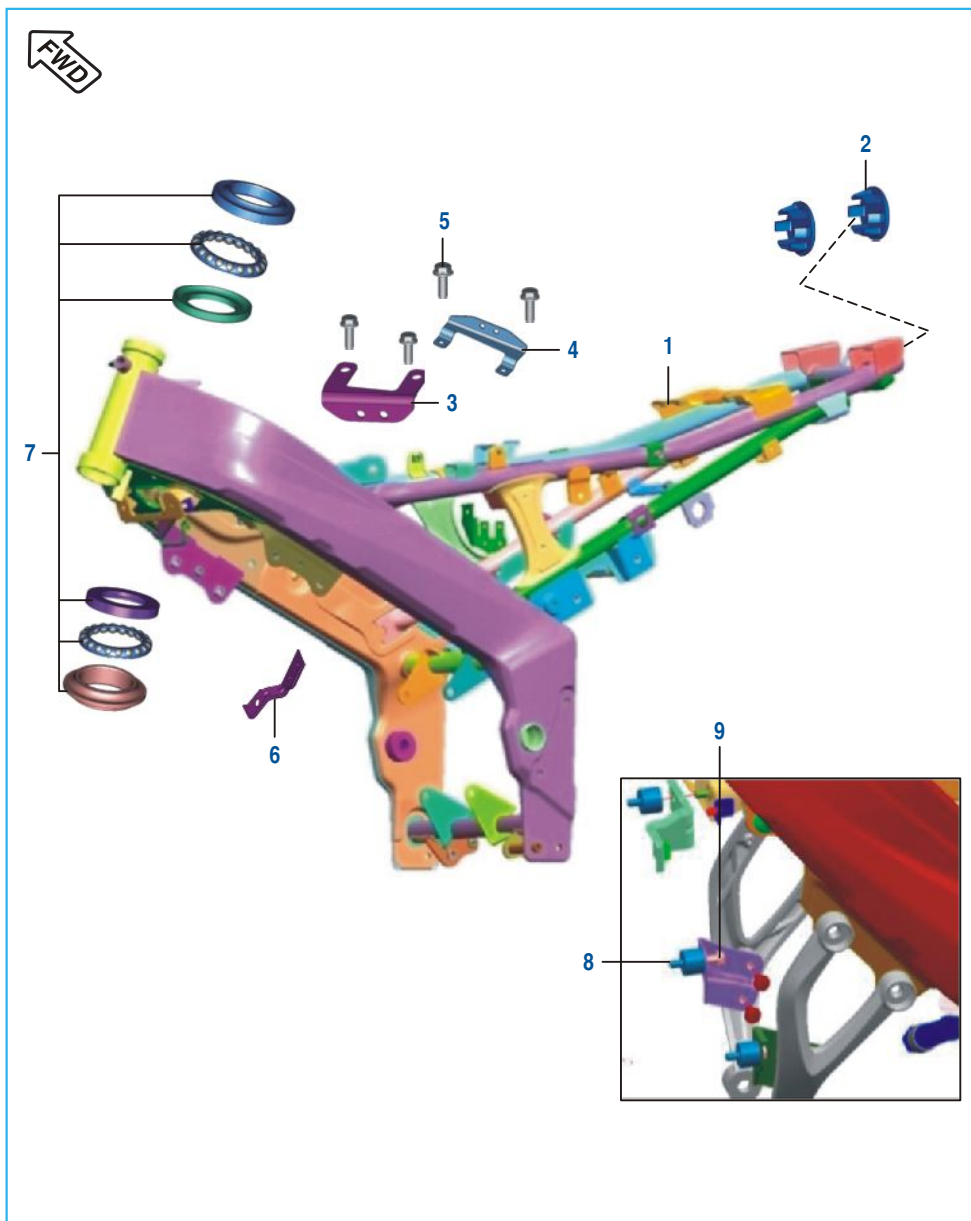
No.	Part No.	Description	Qty.	Remarks
1	JL 1910 01	Seat Assy Comp Front	1	
2	36 JL00 13	Kit Damper For Seat	1	Refer Page No.107
3	DK 2110 07	Damper Seat Front	1	
4	JG 1910 08	Collar -Seat	2	
5	FD 2110 06	Grommet - Seat	2	
6	DS 1612 87	Flange Bolt - M6	2	
7	JL 1910 04	Seat Assy Comp Rear	1	
8	JD 1910 06	Damper Round	2	
9	JG 2326 01	Lock Assy Seat Rear	1	
10	JG 2326 06	Seat Lock Cable	1	
11	39 1913 04	Bolt - Flanged	2	

Engine Mountings



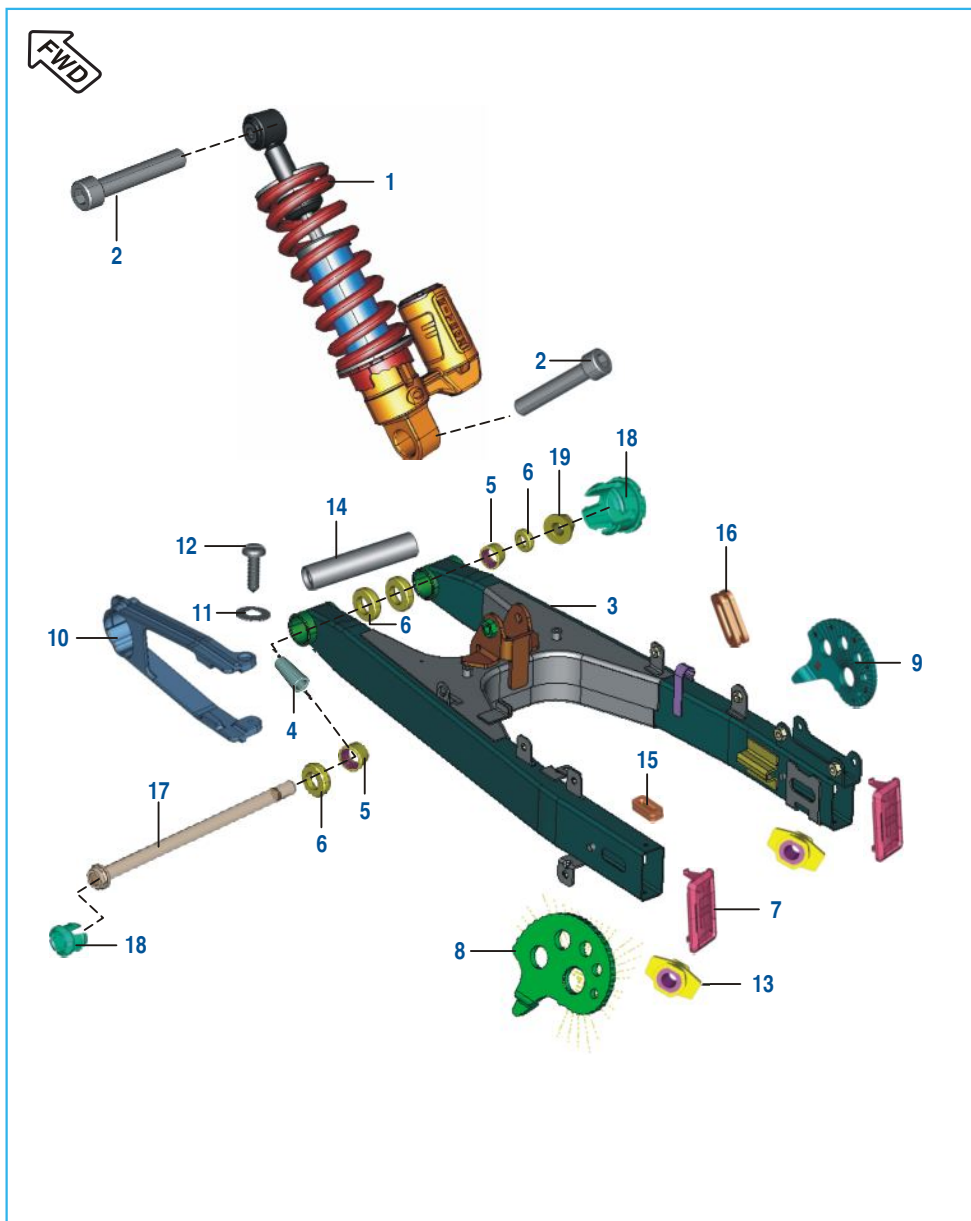
No.	Part No.	Description	Qty.	Remarks
1	JL 1134 00	Engine Stay LH	1	
2	JL 1134 01	Engine Stay RH	1	
3	39 1951 04	Bolt - Flanged Small	4	
4	JL 1110 54	Engine Mtg Bolt Front	1	
5	JA 1134 03	Flanged Bolt M10X110	2	
6	39 2723 15	Nut Flanged M10	2	
7	JL 1110 92	Bkt. Radiator Lower LH	1	
8	JL 1110 93	Bkt. Radiator Lower RH	1	
9	39 1062 04	Bolt Flanged	4	

Frame and Frame Fittings



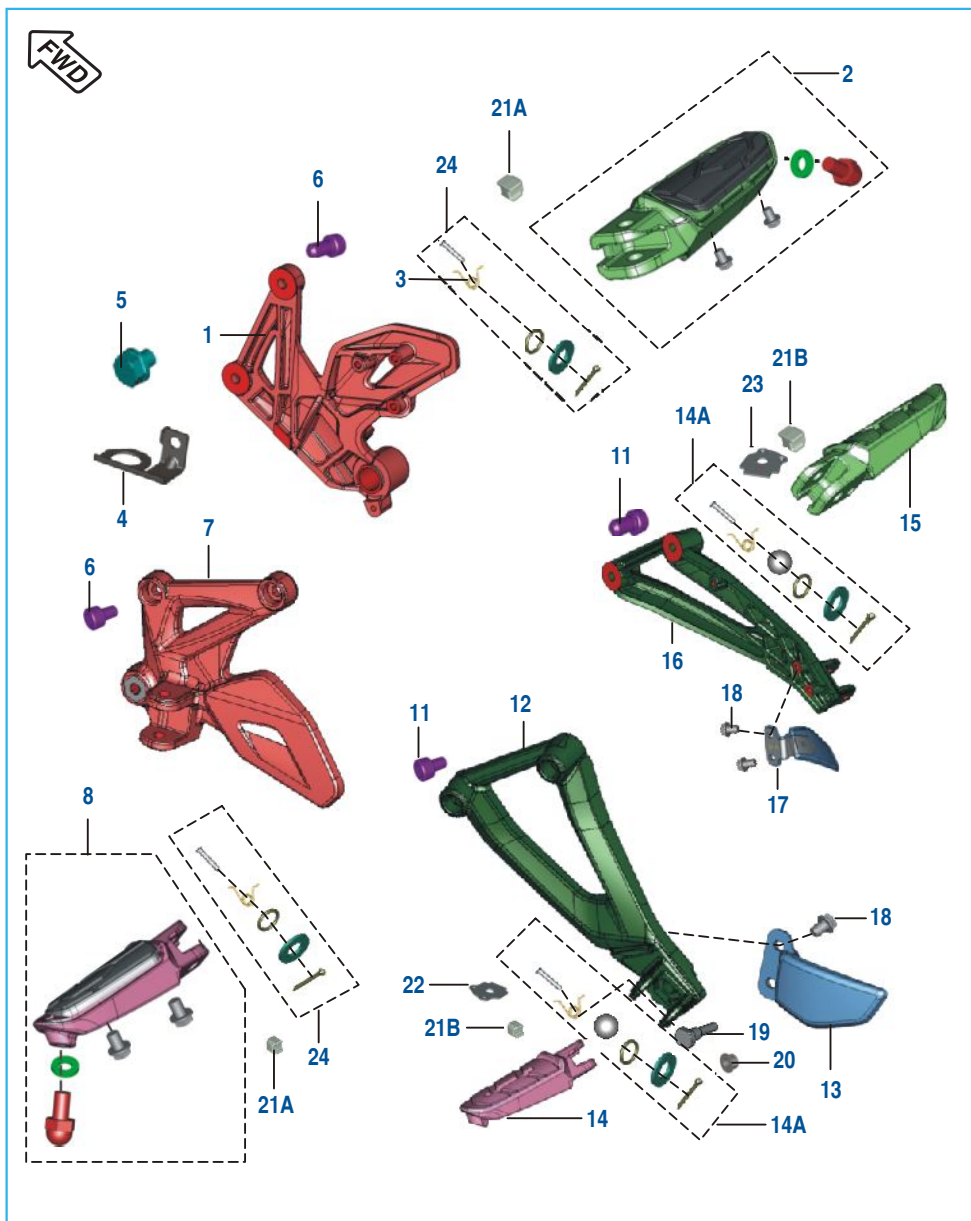
No.	Part No.	Description	Qty.	Remarks
1	JL 1111 06	Frame Assly Complete	1	Without Bearing Race
2	JL 1111 03	Cap Tube End	2	
3	JL 1110 81	Bracket Loose H.T. Coil 1	1	
4	JL 1110 82	Bracket Loose H.T. Coil 2	1	
5	39 1944 04	Bolt - Flanged	4	
6	JL 1110 78	Bracket Horn Mtg Lh	1	
7	36 JG00 11	Kit Steering head bearing	1	
8	JG 5810 14	Silent Block	4	
9	LA D000 40	Bolt Flange	2	

Swing Arm / Rear Shock Absorber



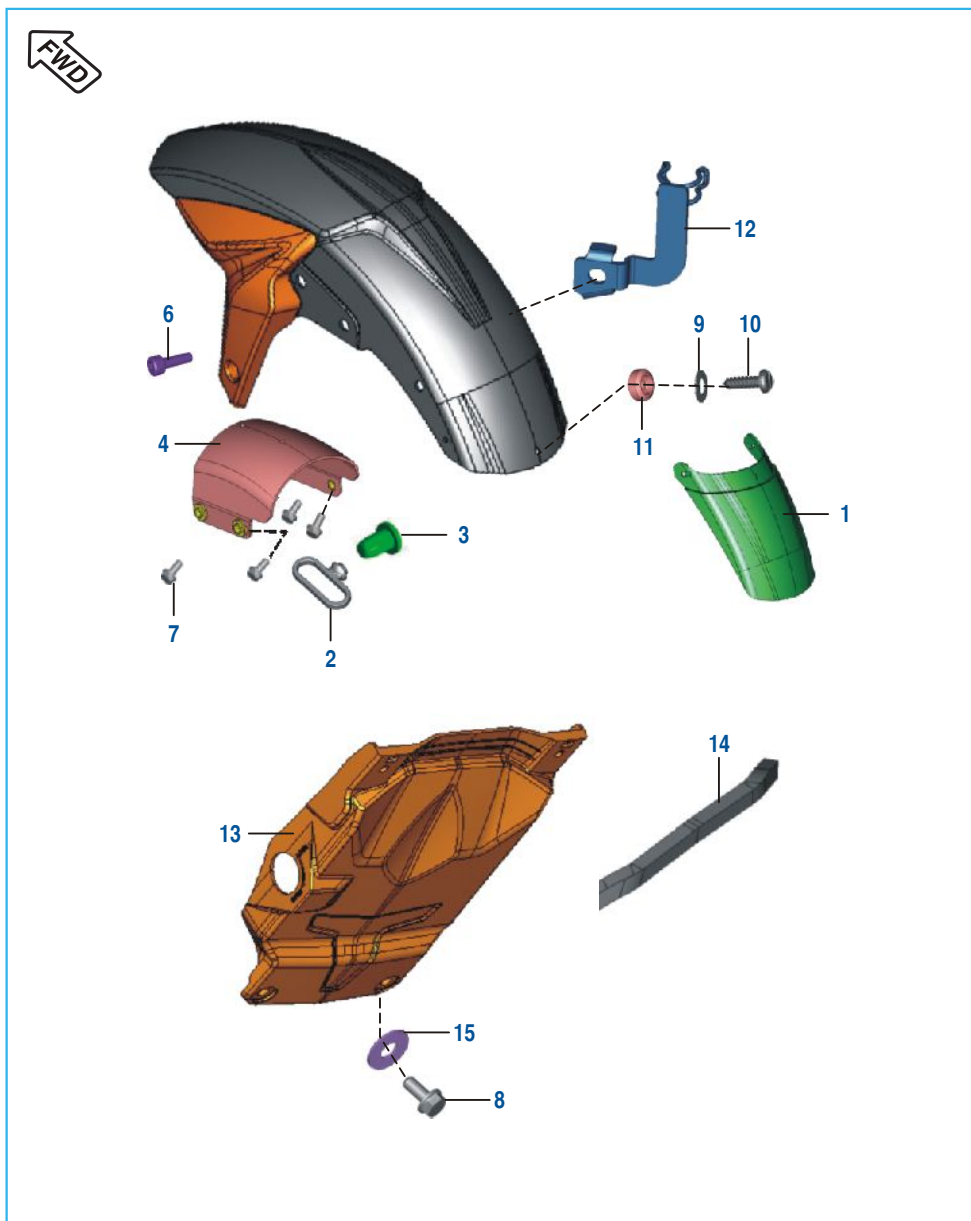
No.	Part No.	Description	Qty.	Remarks
1	JL 1220 06	Shockabsorber Mono	1	
2	LA C000 19	Bolt Socket M10 X 1.25 X 55	2	
3	JL 1220 14	Assembly Swing Arm Comp	1	
4	DG 1710 16	Sleeve	2	
5	DG 1710 18	Bearing - Needle	2	
6	DG 1710 19	Seal - Oil	4	
7	JL 1220 02	Cap Swing Arm Tube	2	
8	JL 1220 01	Adjuster Chain Lh	1	
9	JL 1220 09	Adjuster Chain Rh	1	
10	JL 1220 03	Slider Chain	1	
11	39 0454 11	Washer - Plain	2	
12	39 0553 02	Screw - Self Tapping	2	
13	JL 1220 04	Spacer Chain Adjuster	2	
14	JL 1220 08	Spacer Central Swing Arm	2	
15	JL 1812 24	Grommet I	1	
16	JL 1812 25	Grommet li	1	
17	DG 1710 15	Shaft - Swing Arm	1	
18	JL 1111 09	Cap -Swing Armpivot	2	
19	DG 1710 17	Nut	1	

Pillion Foot Rest / Holder



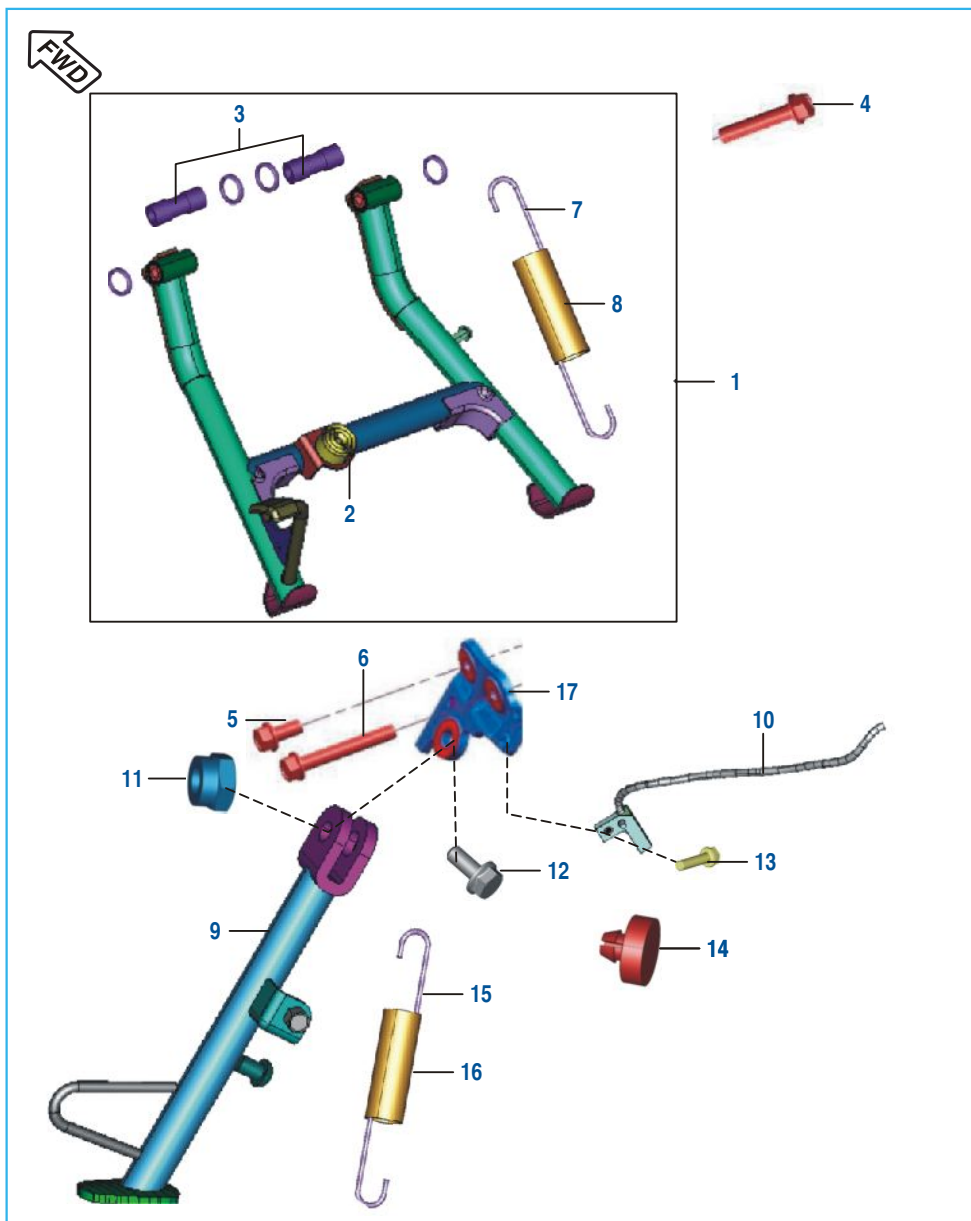
No.	Part No.	Description	Qty.	Remarks
1	JL 1130 02	Holder Step RH	1	
2	JL 1130 07	Step Assy Main RH	1	
3	JL 1130 12	Spring Torsion	2	
4	JL 1130 33	Bracket Rear Brake Switch	1	
5	39 2475 04	Bolt - Hexagon Head Flange M6	1	
6	KA CA08 20	Bolt-Socket Dia-08 L-20	4	
7	JL 1130 34	Holder Step LH	1	
8	JL 1130 00	Step Assy Main LH	1	
10	LD A000 13	Washer Plain Dia 6.4Xdia 12.5X 2	1	
11	LA C000 16	Bolt Socket M8X35	4	
12	JL 1130 13	Step Holder- Pillion LH	1	
13	JL 1130 26	Flap Pillion Holder LH	1	
14	JL 1130 14	Step Pillion LH	1	
14A	36 JL00 15	Kit Pillion Hardware	2	
15	JL 1130 16	Step Pillion RH	1	
16	JL 1130 15	Step Holder - Pillion RH	1	
17	JL 1130 27	Flap Pillion Holder RH	1	
18	39 1954 04	Bolt - Flanged Small	4	
19	JL 2312 06	Bolt Special M10	1	
20	39 1055 15	Nut	1	
21A	JL 1130 28	Rubber Pad Footrest	2	
21B	JL 1130 36	Rubber Pad Footrest	2	
22	JL 1130 20	Lock Plate LH	1	
23	JL 1130 32	Lock Plate RH	1	
24	36 JL00 41	Kit Main Step Hardware	2	

Mudguard - Front & Rear



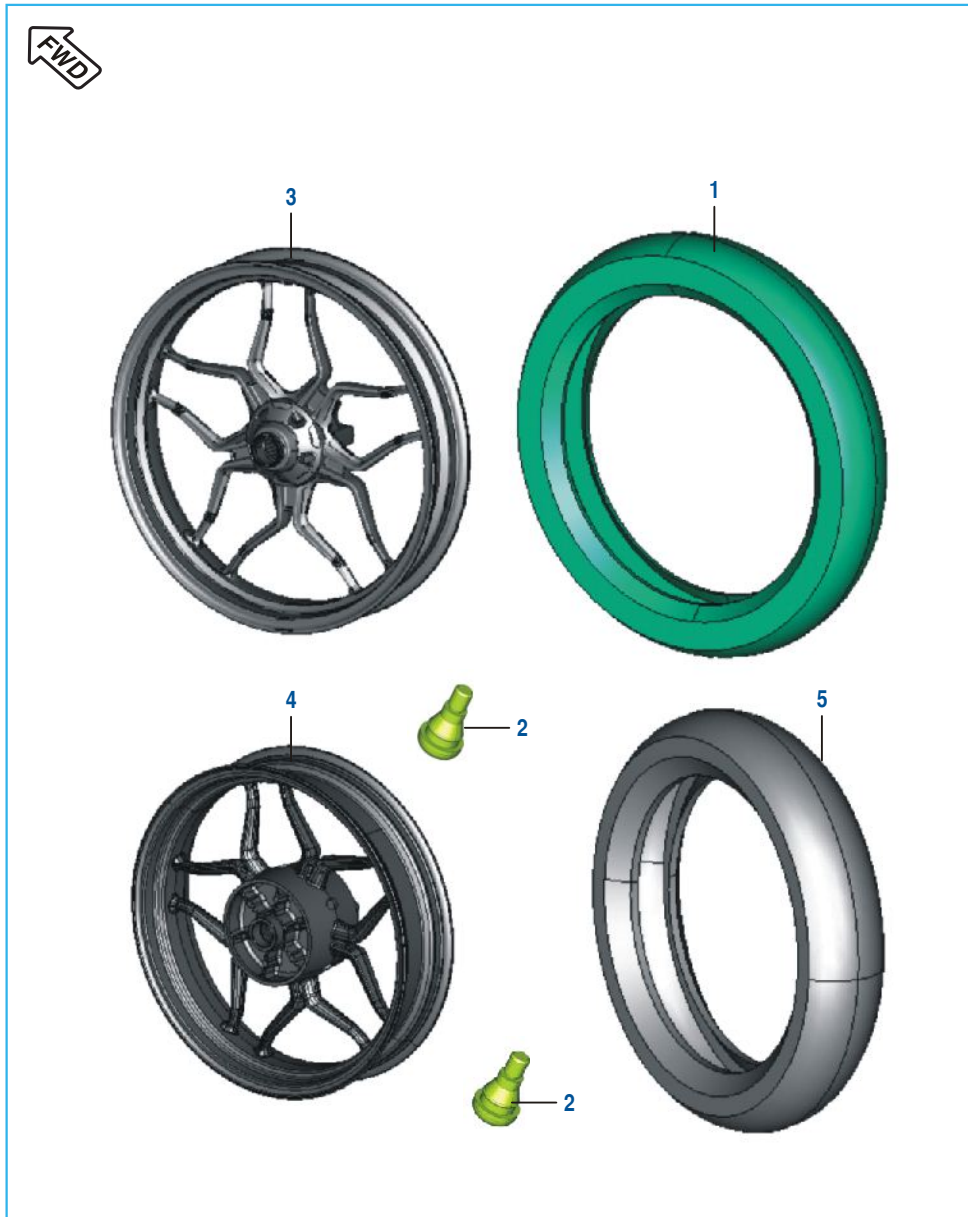
No.	Part No.	Description	Qty.	Remarks
1	JL 1814 05	Mudflap -Front	1	
2	DS 1611 25	Guide - Cable	1	
3	DJ 1610 69	Nail - Cable Guide	1	
4	JL 1814 02	Bracket Brace Fender	1	
5	JL 1814 11	Washer Front-Fender-Mtg	2	
6	39 2038 04	Bolt - Hexagon Socket Head M6	2	
7	39 1946 04	Bolt - Flanged M8	4	
8	39 1943 04	Bolt - Flanged	2	
9	39 0242 11	Washer - Plain	6	
10	39 2420 01	Screw - Pan Head M5	3	
11	39 0326 15	Nut - Nyloc M5 X 0.8	3	
12	JL 1318 11	Bracket -Hose Clamp	1	
13	JL 1812 09	Fender Rear Front	1	
14	JL 1812 21	Foam-Rear Fender Front	1	
15	39 0239 11	Washer - Plain	2	

Stand Assembly



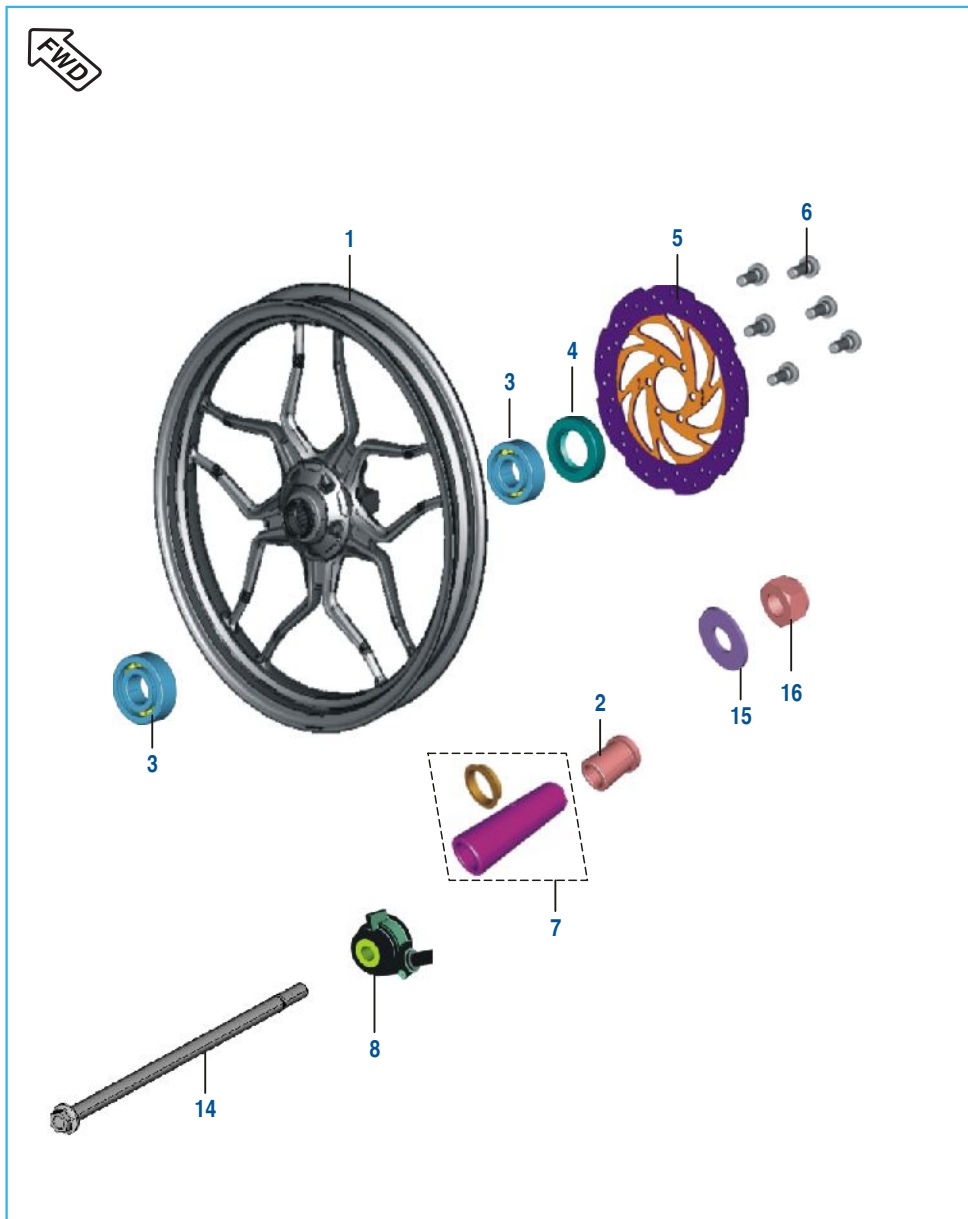
No.	Part No.	Description	Qty.	Remarks
1	36 JL00 25	Kit Center Stand	1	As An Accessories
2	DG 1611 24	Damper	1	
3	JL 1132 10	Bush Main Stand LH	2	
4	39 1941 04	Bolt - Flanged M8	1	
5	39 1946 04	Bolt - Hexagon M8 X 1.25	1	
6	39 2469 04	Bolt Flanged	1	
7	JL 1132 07	Spring Main Stand	1	
8	JL 1132 12	Cover Spring Main Stand	1	
9	JL 1132 01	Assembly Side Stand	1	
10	JL 4014 02	Switch Side Stand	1	
11	39 0422 15	Nut - Nyloc M10	1	
12	DF 1611 02	Bolt For Side Stand Mounting	1	
13	39 2060 04	Bolt - Flanged	1	Magnet Mtg.
14	JL 4036 00	Magnet Assembly	1	
15	JL 1132 09	Spring Side Stand	1	
16	DH 1611 46	Cover - Spring Side Stand	1	
17	JL 1132 02	Bracket Side Stand Mtg	1	

Tube / Tyre / Rim



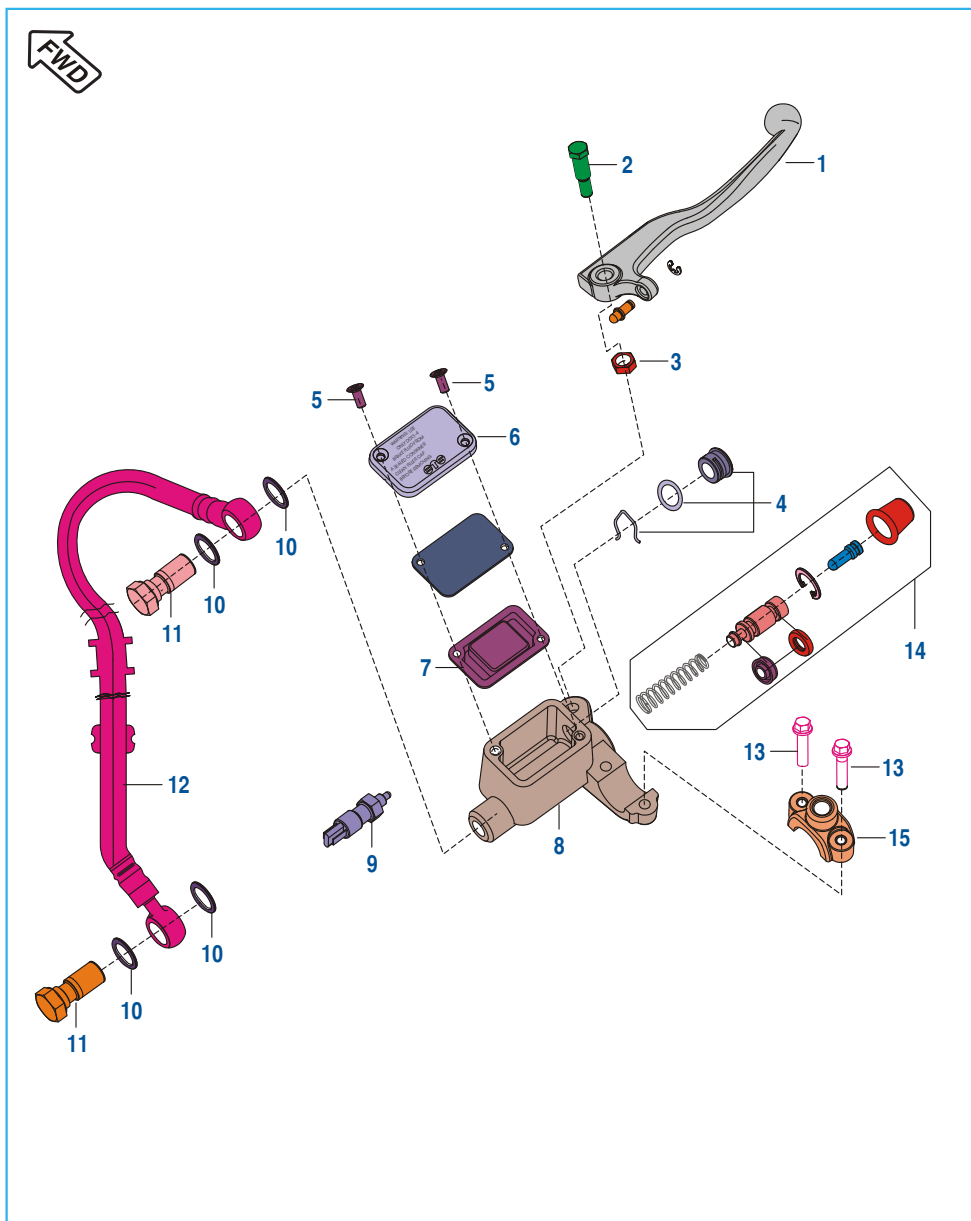
No.	Part No.	Description	Qty.	Remarks
1	JL 1310 06	Tyre Tubeless (Size 100/80-17)	1	Not Serviceable
2	DK 1510 26	Valve Tubeless Tyre	2	
3	JL 1310 04	Wheel Rim 2.5X17	1	
4	JL 1312 09	Wheel Rim 3.5X17	1	
5	JL 1312 19	Tyre 130/70-17	1	Not Serviceable

Front Hub



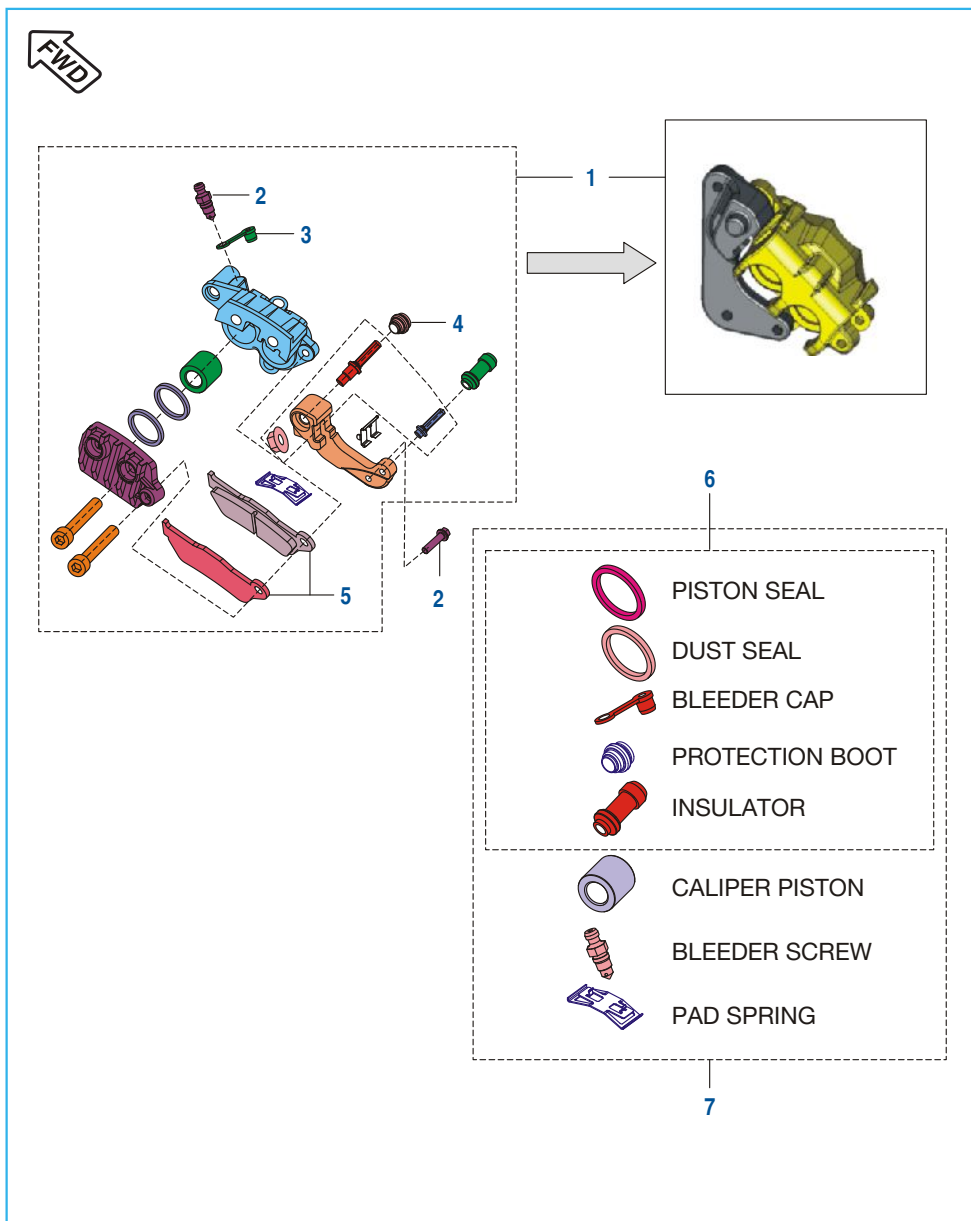
No.	Part No.	Description	Qty.	Remarks
1	JL 1310 04	Wheel Front	1	
2	JG 1310 01	Spacer	1	
3	39 2241 20	Bearing - Ball	2	
4	DG 1510 05	Seal - Oil	1	
5	JL 1310 05	Disc Front	1	
6	JD 1318 11	Special Bolt M8	6	
7	JL 1310 00	Collar	1	
8	JC 1510 20	Case Meter Housing(W/O Sensor)	1	
10	JC 2010 46	Stopper	1	N.I. Sensor Mtg
11	59 2100 19	'O' Ring	1	N.I. Sensor
12	39 0900 12	Washer - Spring	1	N.I. Sensor Mtg
13	39 0840 01	Screw Pan Cross - M4	1	N.I. Sensor Mtg
14	JL 1310 01	Axle	1	
15	LD B000 09	Washer	1	
16	LC J000 02	Nut - U M14	1	

Front Master Cylinder



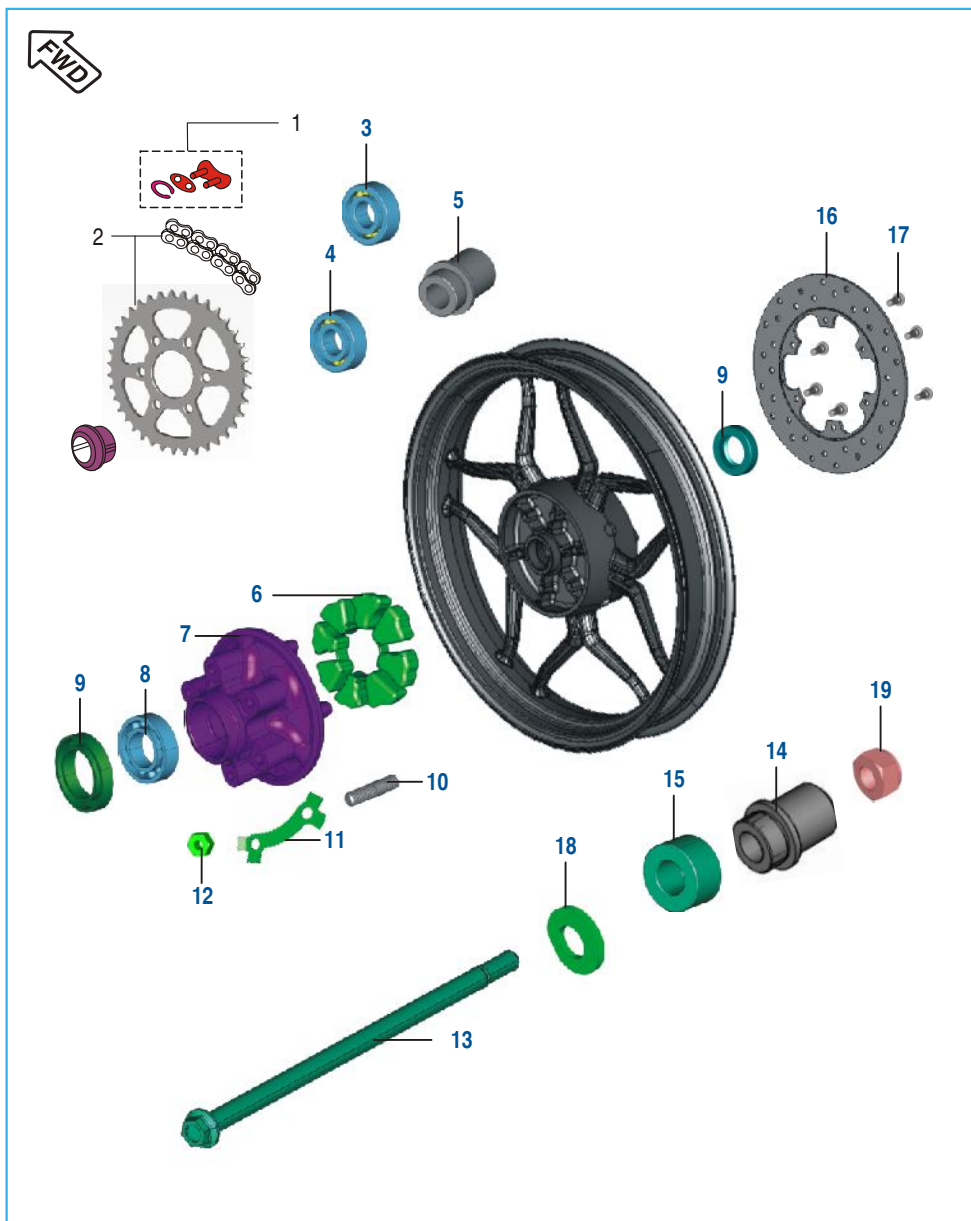
No.	Part No.	Description	Qty.	Remarks
1	DJ 1910 57	Lever Front Brake	1	
2	DJ 1910 29	Bolt Front Bracket I	1	
3	DJ 1910 30	Nut	1	
4	36 Dh19 02	Oil Window Kit	1	
5	DJ 1910 31	Screw	2	
6	DE 1910 29	Cover - Reservoir	1	
7	DE 1910 28	Diaphragm	1	
8	DJ 1910 56	Master Cylinder with lever	1	
9	DJ 2011 00	Brake Switch	1	
10	DE 1910 10	Washer - Copper	4	
11	DE 1910 11	Bolt - Banjo	2	
12	JL 1318 02	Hose Assembly	1	
13	LA D000 37	Bolt Flanged M8X1X50	2	
14	DJ 1910 23	Major Kit M-11	1	
15	DE 1910 33	Clamp - Holder : RH	1	

Front Disc Brake



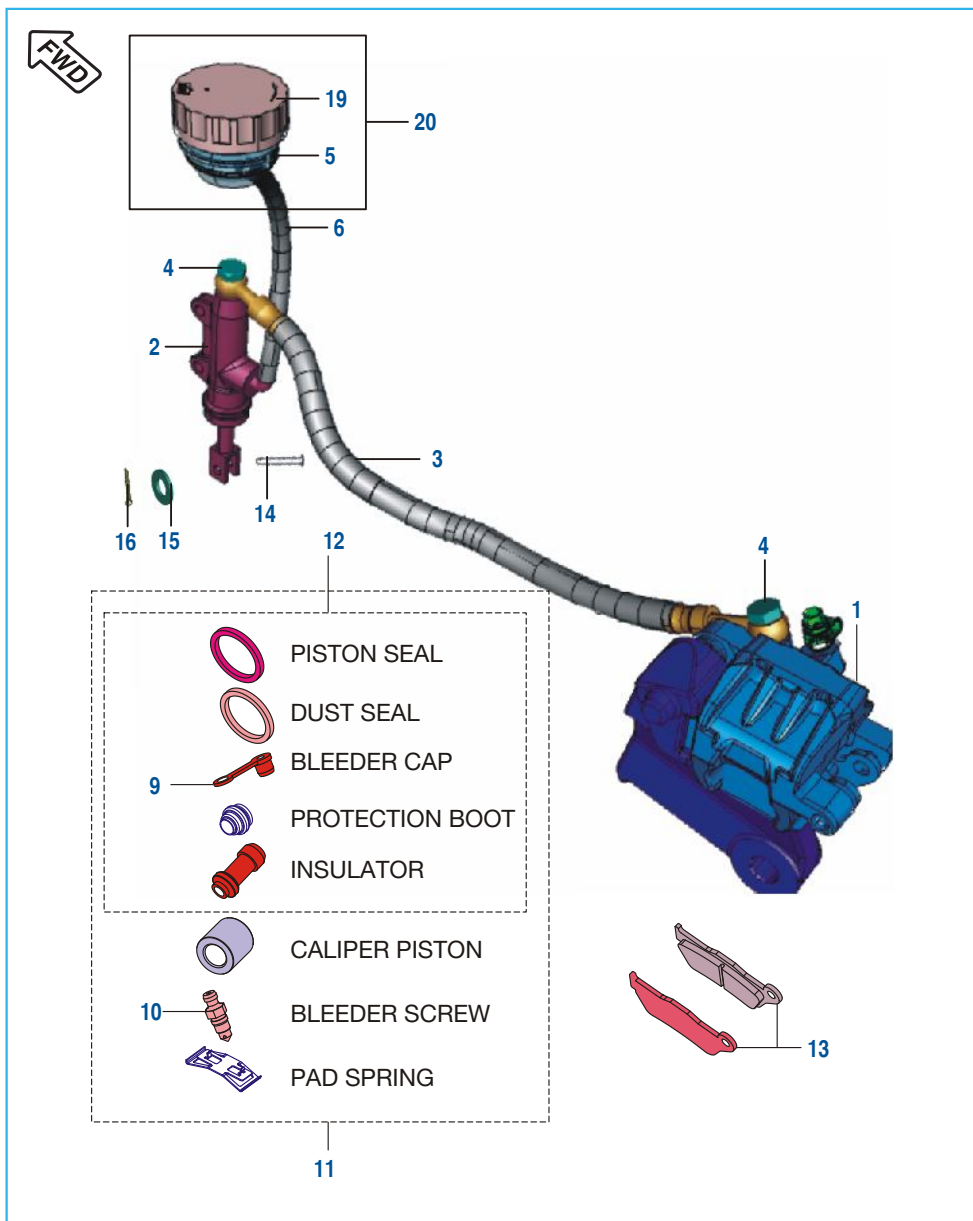
No.	Part No.	Description	Qty.	Remarks
1	JL 1318 04	Caliper Assy Brake Front	1	
2	JL 1318 06	Screw Bleeder	1	
3	DE 1510 47	Bleeder Cap	1	
4	JL 1318 07	Boot	1	
5	JL 1318 05	Disc Pad	1	
6	DJ 1510 74	Minor Kit	1	
7	DJ 1510 75	Major Kit	1	

Rear Hub



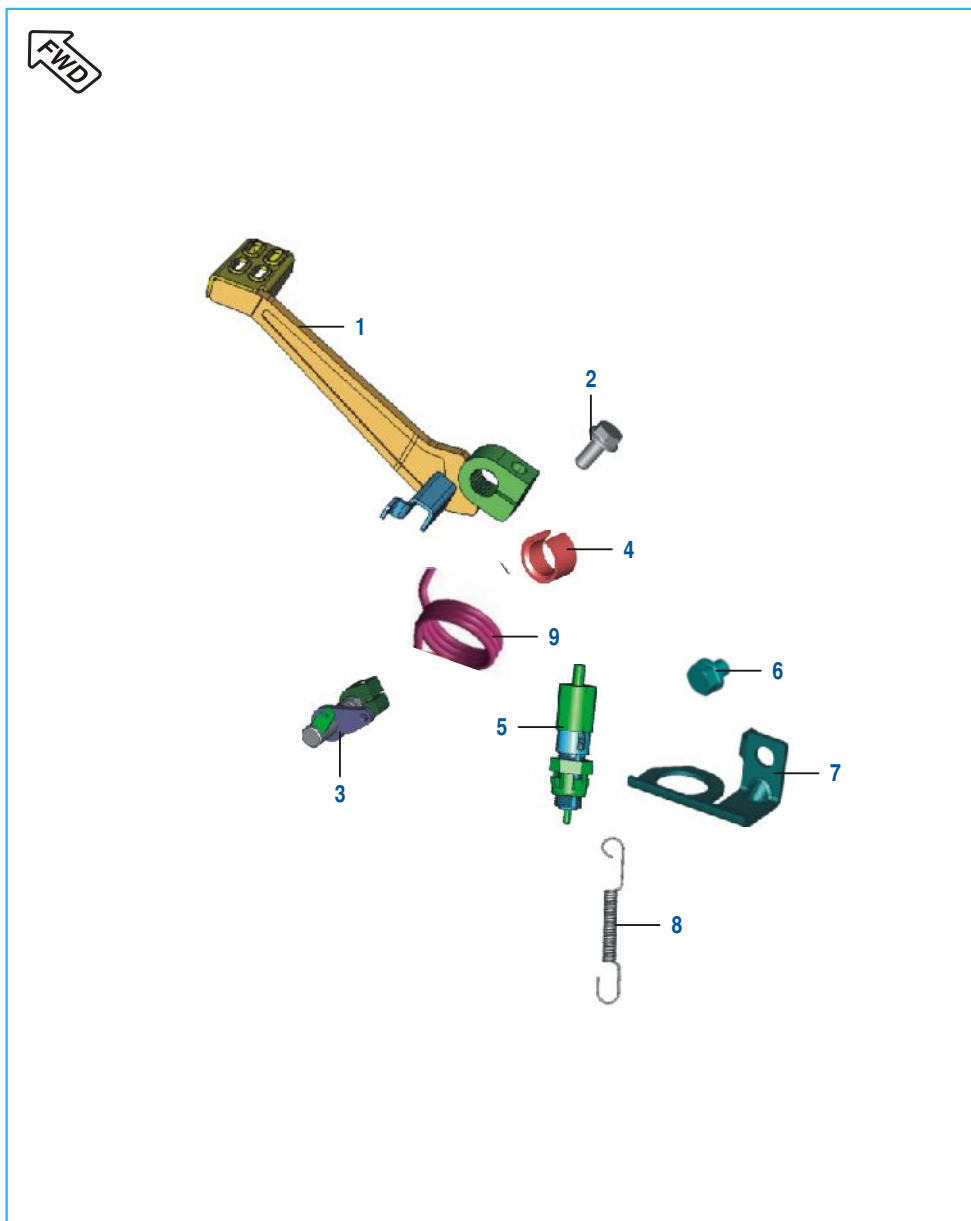
No.	Part No.	Description	Qty.	Remarks
1	DK 1510 36	Lock Set	1	
2	36 JL00 09	Kit Chain Sprocket	1	Refer Page No.107
3	39 2241 20	Bearing - Ball	1	
4	39 2242 20	Bearing - Ball	1	
5	JL 1312 16	Collar Bearing Assy	1	
6	JG 1312 19	Coupling Rubber	1	
7	JL 1312 25	Coupling	1	
8	DK 1510 13	Bearing Coupling	1	
9	DK 1510 12	Oil Seal	2	
10	LA A000 19	D Bolt	6	
11	JL 1312 26	Washer 6 Rubber	3	
12	LC A000 09	Nut	6	
13	JL 1312 03	Axle	1	
14	DK 1510 15	Sleeve	1	
15	JL 1312 11	Spacer for Coupling	1	
16	JL 1312 18	Disc Rear	1	
17	39 2038 04	Bolt Hex	6	
18	LD B000 09	Washer	2	
19	LC J000 02	Nut - U	1	
20	DK 1510 81	Spacer I	1	
21	DK 1510 82	Spacer II	1	

Rear Disc Brake System



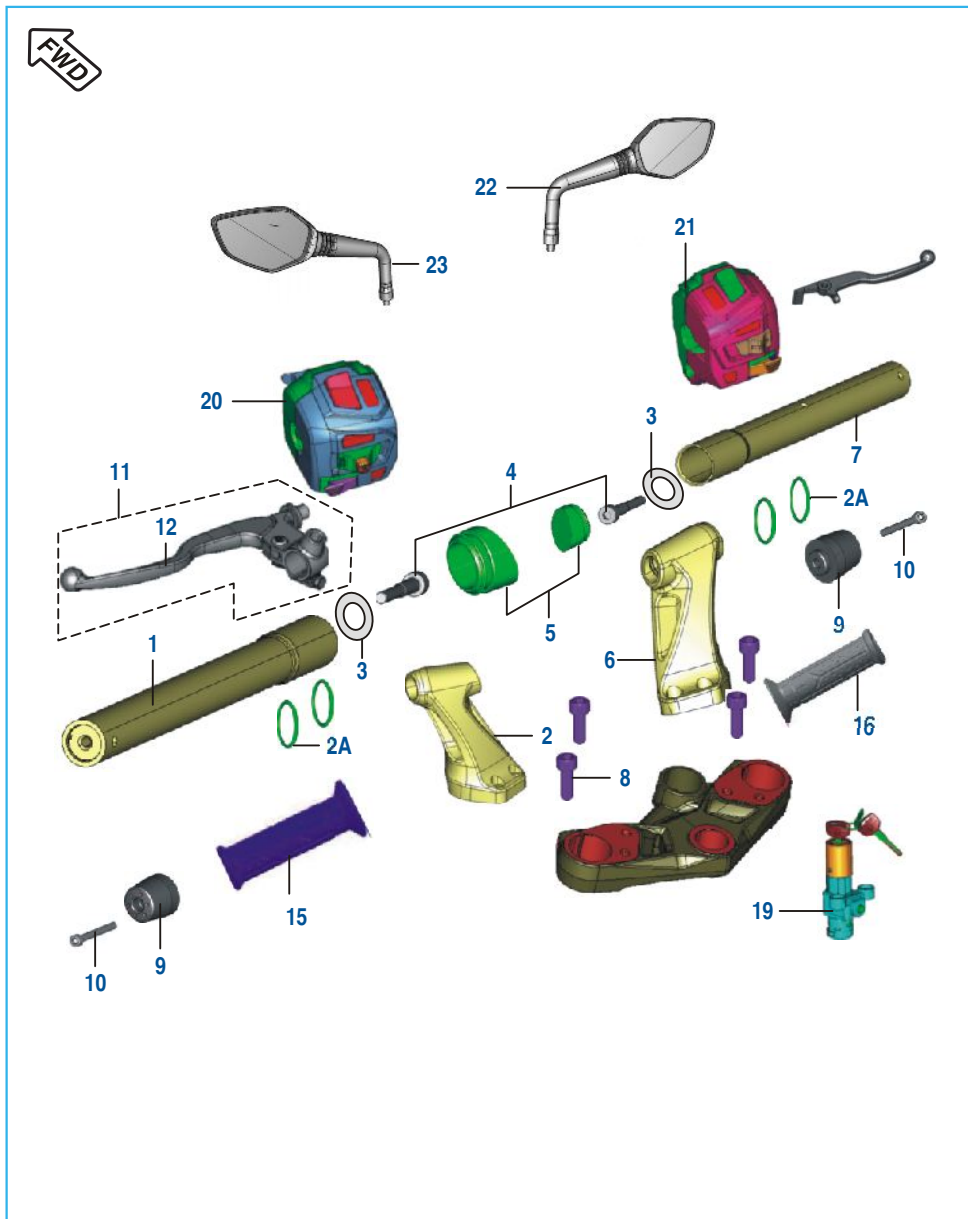
No.	Part No.	Description	Qty.	Remarks
1	DK 1510 83	Assembly Caliper	1	
2	DK 1510 31	Assembly Master Cyl. Rear	1	
3	JL 1318 03	Hose Disc Brake Rear	1	
4	DK 1510 69	Banjo Bolt	2	
5	JG 1318 21	Reservoir Rear Brake	1	Without Cap
6	JL 1312 20	Hose - Reservoir	1	
7	DK 1510 63	Clip Reservoir	1	Cap Reservoir
8	DE 1910 10	Copper Washer	4	Banjo Bolt
9	DE 1510 47	Cap Bleeder Screw	1	
10	DE 1510 46	Bleeder Screw	1	
11	DK 1510 88	Caliper Piston Kit	1	
12	DK 1510 89	Caliper Piston Seal Kit	1	
13	DK 1510 85	Set Disc Pad	1	
14	30 1910 38	Pin	1	
15	39 0198 11	Washer	1	
16	39 0808 08	Split Pin	1	
17	DK 1510 73	Master Cyl. Major Kit	1	N.I.
18	DK 1510 74	Master Cyl. Minor Kit	1	N.I.
19	DK 1510 45	Cap Reservoir	1	
20	36 JG00 18	Reservoir with Cap	1	

Rear Brake Pedal



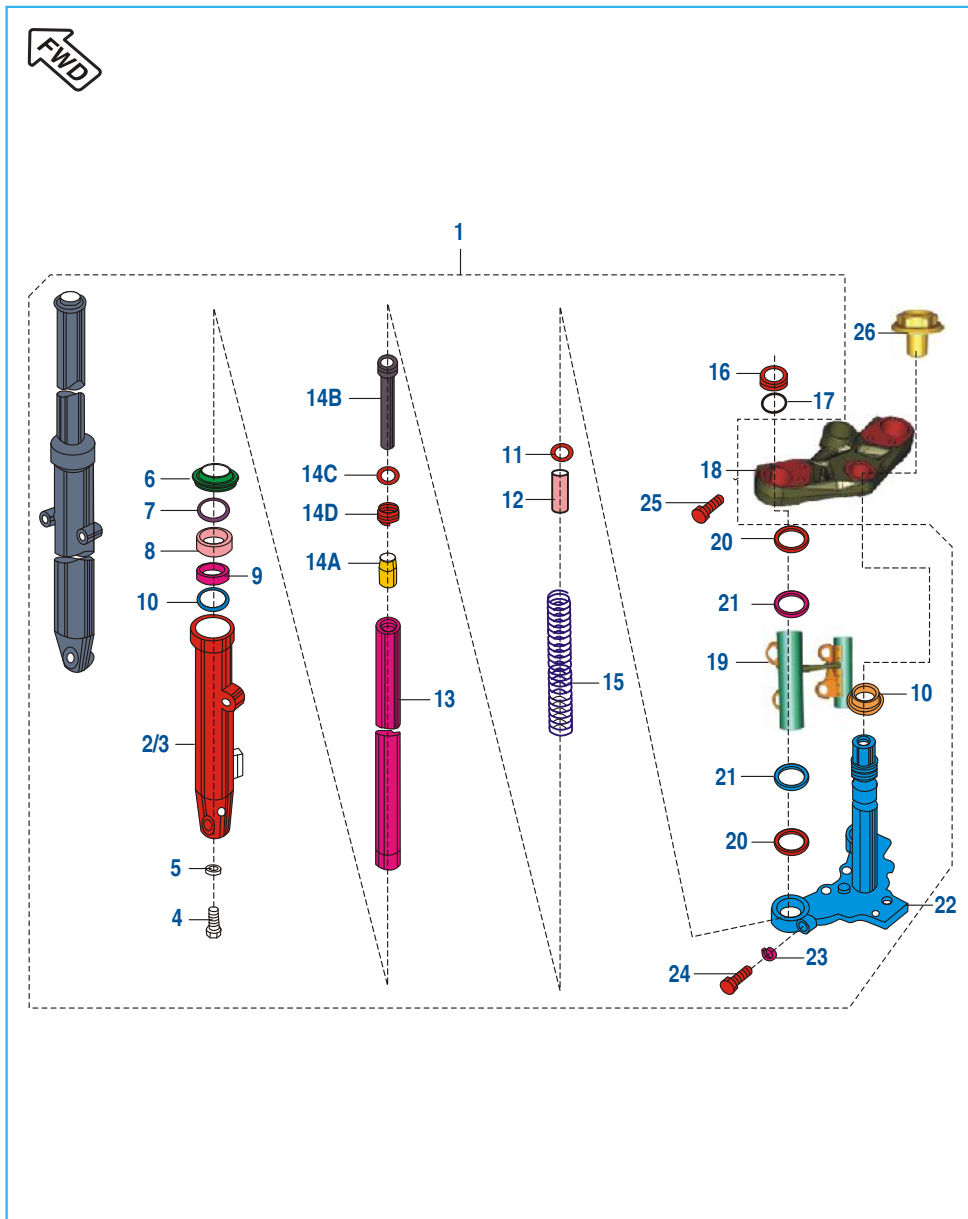
No.	Part No.	Description	Qty.	Remarks
1	JL 1610 01	Brake Pedal	1	
2	39 1769 04	Bolt - Flanged : M8	1	
3	JL 1610 10	Shaft Assy Brake Lever	1	
4	DH 1910 13	Spacer Brake Shaft assly.	1	
5	31 2010 79	Switch - Rear Brake	1	
6	39 2475 04	Hex. head bolt	1	
7	JL 1130 33	Bracket Rear brake switch	1	
8	JL 1610 06	Spring Rear Brake Switch	1	
9	DH 1910 06	Spring - Brake Pedal	1	

Handle Bar Assly



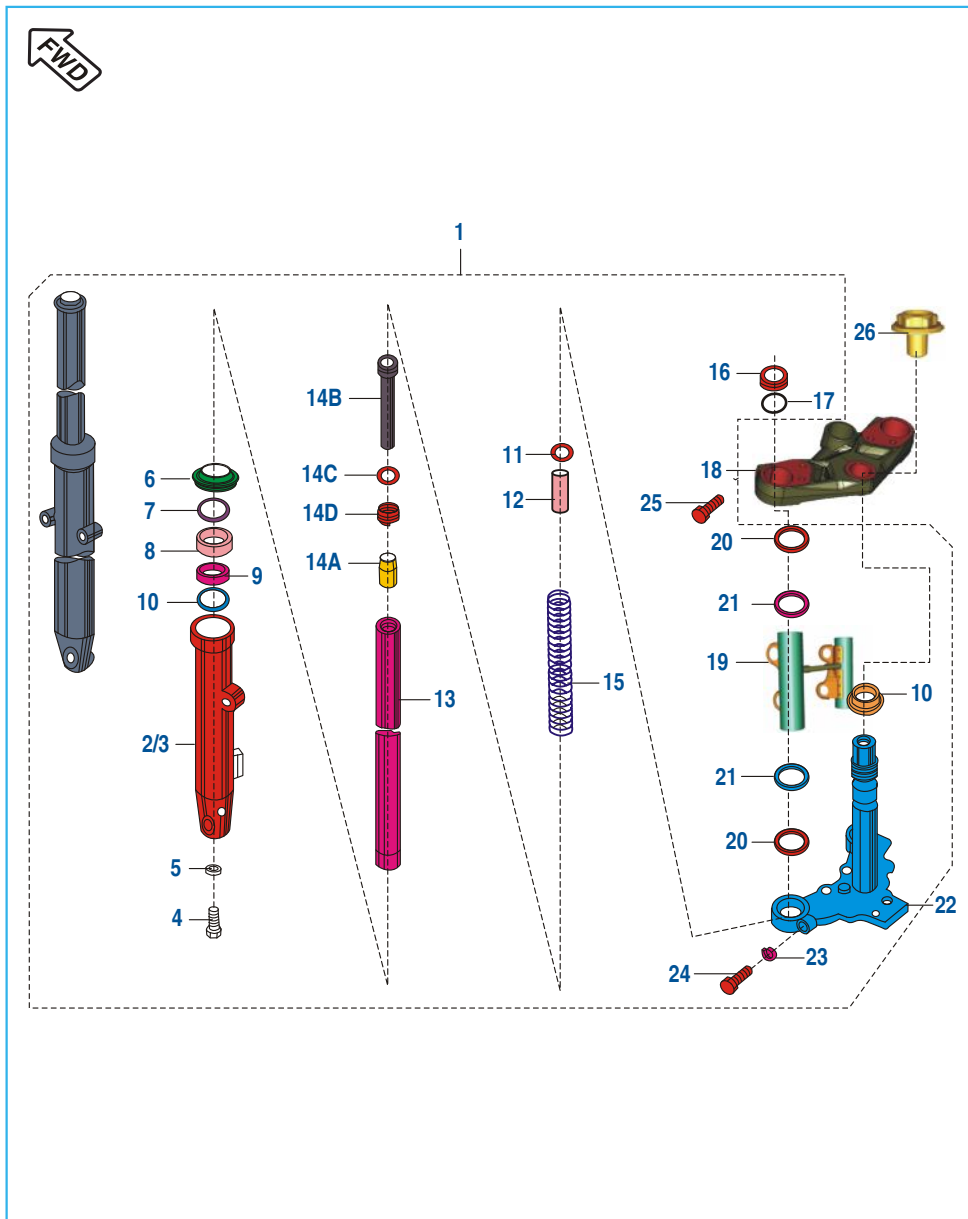
No.	Part No.	Description	Qty.	Remarks
1	JL 1510 21	Handle Bar Tube LH assly.	1	
2	JL 1510 26	Holder Handle LH	1	
2A	JL 1510 38	O ring	4	
3	39 1180 11	Washer - Plain	2	
4	LA C000 20	Bolt Socket M8X1.25Px55L	2	
5	JL 1510 28	Plug Handle Holder	2	
6	JL 1510 30	Holder Handle	1	
7	JL 1510 34	Handlebar Tube Assy RH	1	
8	DG 1810 08	Bolt - Socket	4	
9	JL 1510 35	Handlebar Weight	2	
10	39 2427 04	Bolt - Hexagon Socket Head Cap:M6	2	
11	DJ 1910 82	Lever & Support Holder Assly LH	1	
12	DJ 1910 83	Lever LH For New Clutch Switch	1	
13	DJ 2012 46	Clutch Switch (6Amp Diode)	1	N.I.
15	JL 1610 03	Handle Grip LH	1	
16	JL 1610 08	Grip Hand Assy RH	1	
17	DH 1910 17	Pipe - Throttle	1	N.I.
18	JL 1510 23	Lock Set 3 In 1	1	
19	JL 4014 03	Switch Ignition	1	
20	JL 4014 00	Switch Control LH	1	
21	JL 4014 01	Switch Control RH	1	
22	JL 2316 01	Mirror Assy RH	1	
23	JL 2316 00	Mirror Assy LH	1	

Front Fork



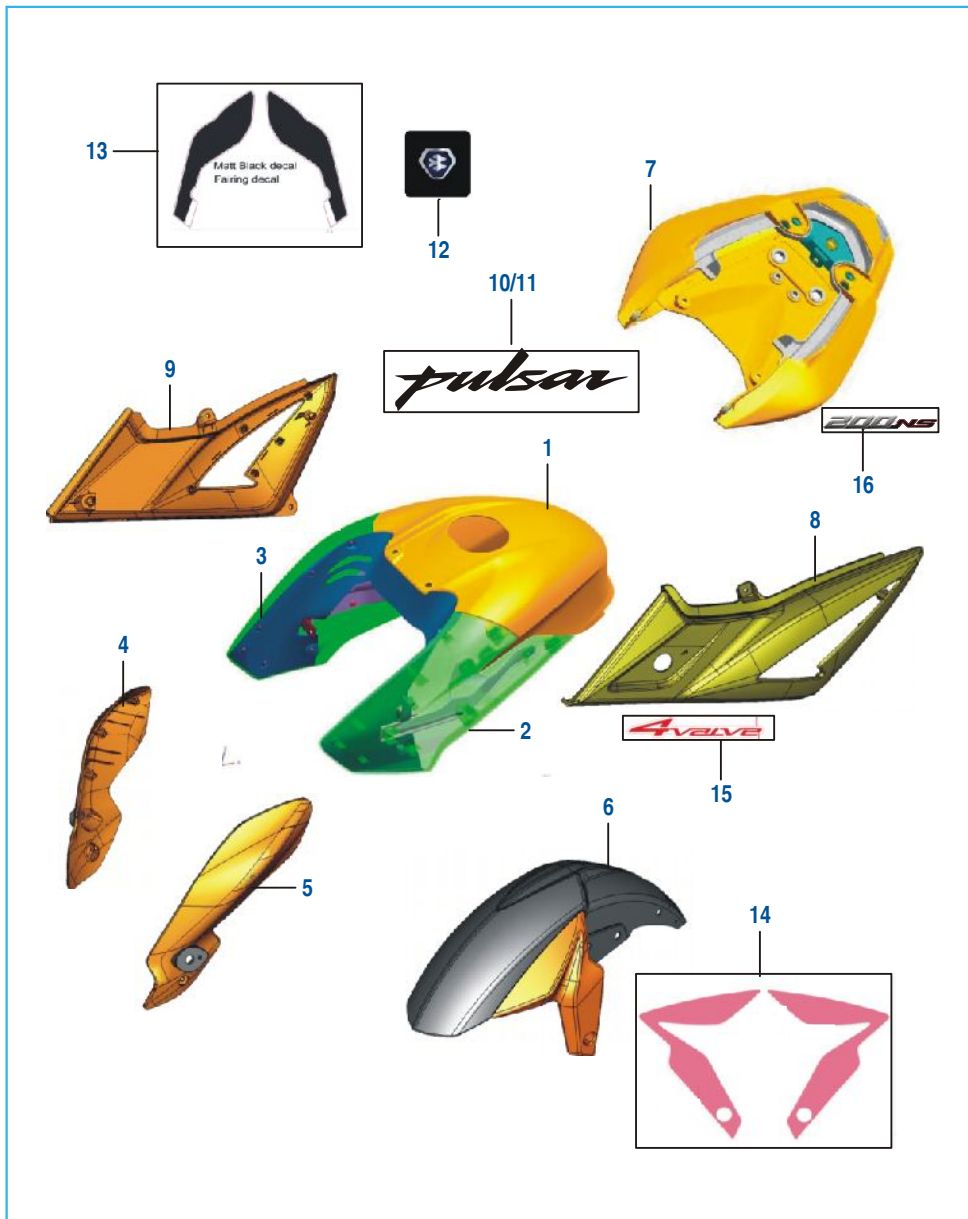
No.	Part No.	Description	Qty.	Remarks
1	JL 1510 24	Fork Assly- Front	1	
2	JL 1510 02	Tube Outer LH	1	
3	JL 1510 03	Tube Outer RH	1	
4	DK 1810 06	Socket Headed Bolt - M10 X1.5X35	2	
5	DK 1810 07	Copper Washer	2	
6	DK 1810 21	Inner Dust Seal	2	
7	DK 1810 18	Washer Seal	2	
8	DK 1810 19	Oil Seal	2	
9	DK 1810 17	Guide Bush	2	
10	DK 1810 20	Oil Seal Stopper	2	
11	DK 1810 15	Washer	2	
12	JL 1510 12	Spacer Tube	2	
13	JL 1510 04	Fork Pipe Inner	2	
14A	DK 1810 09	Cap Oil Lock	2	
14B	DK 1810 10	Seat Pipe	2	
14C	DK 1810 12	Piston Ring	2	
14D	DK 1810 13	Rebound Spring	2	
15	DK 1810 73	Spring Main Spring	2	
16	DK 1810 22	Fork Bolt	2	
17	DK 1810 23	O' Ring	2	
18	JL 1510 32	Upper Bracket	1	
19	JL 1812 35	Lamp Shade Assy	1	
20	JC 1810 23	Cover Cushion	4	
21	JC 1810 22	Cove Trail B	4	

Front Fork



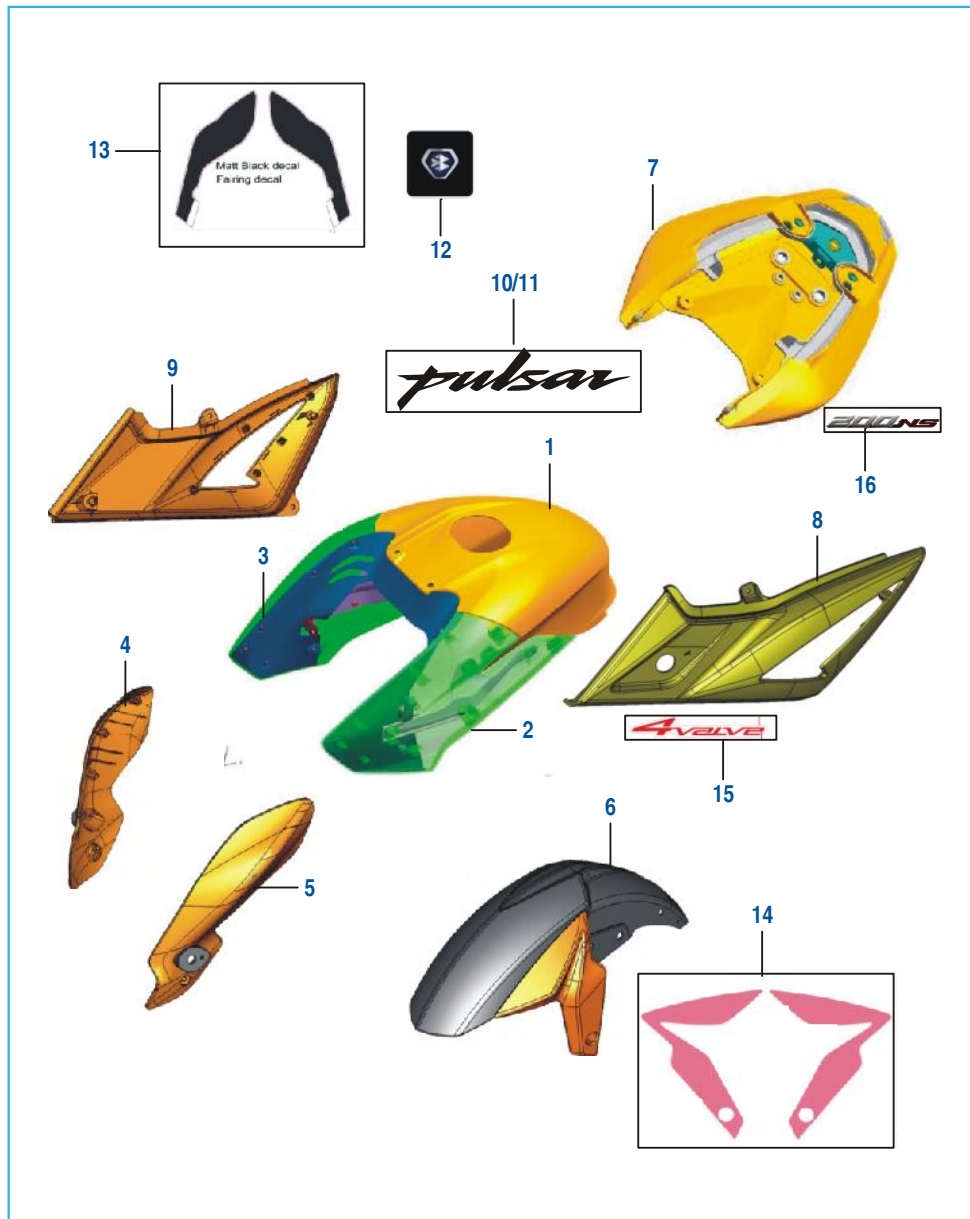
No.	Part No.	Description	Qty.	Remarks
22	JL 1510 37	Under Bkt Assy Complete	1	
23	DK 1810 25	Spring Washer	2	
24	DK 1810 28	Bolt	2	
25	DG 1810 08	Bolt - Socket	2	
26	JL 1510 36	Steering Top Bolt	1	

Painted Parts and Decals



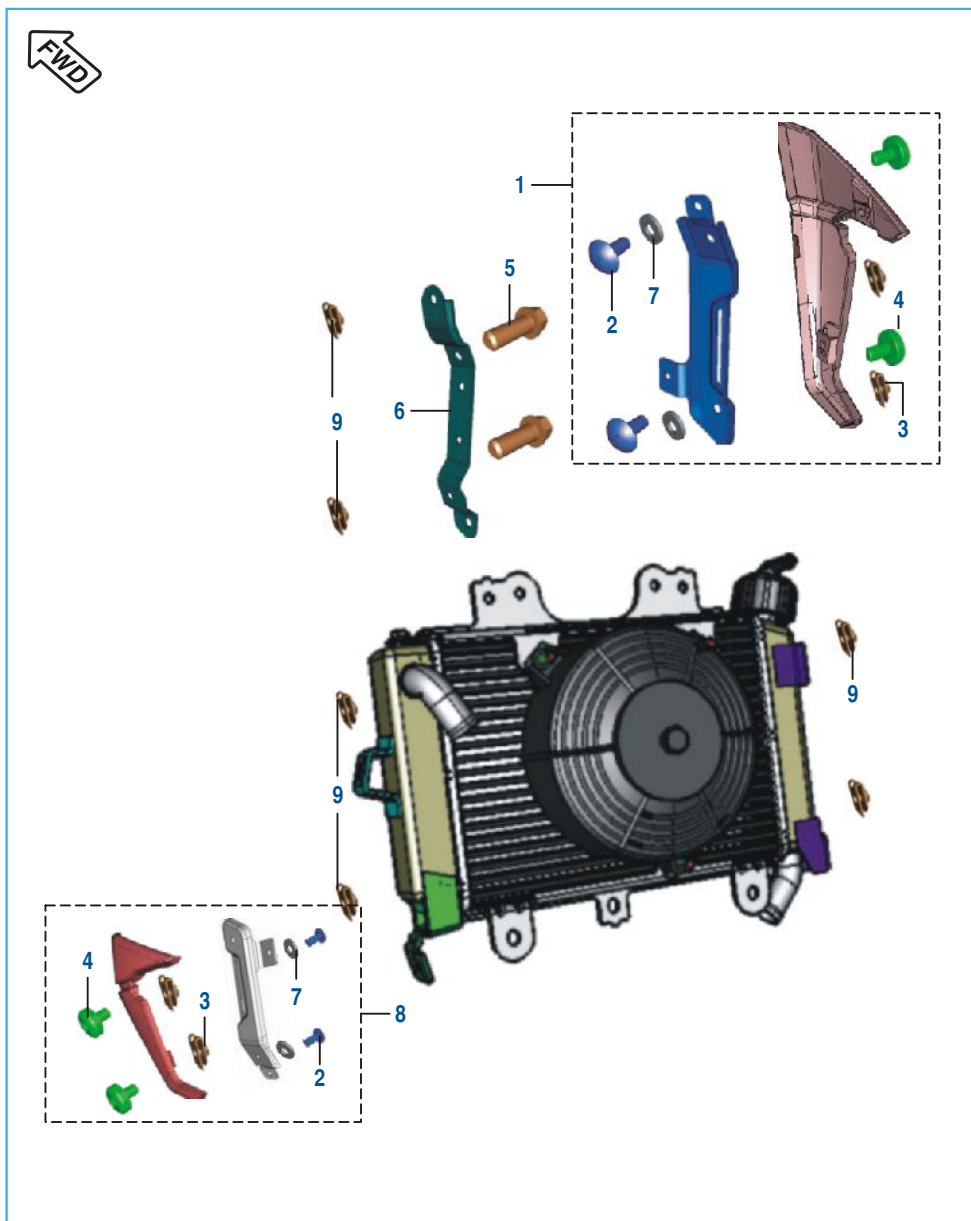
No.	Part No.	Description	Qty.	Remarks
1	JL 7401 5P	Tank Cover Top P200 Blue	1	
	JL 7401 5N	Tank Cover Top P200 Black	1	
	JL 7401 5Q	Tank Cover Top P200 Yellow	1	
	JL 7401 5M	Tank Cover Top P200 Red	1	
2	JL 7301 5P	Tank Cover Side LH - Blue	1	
	JL 7301 5N	Tank Cover Side LH - Black	1	
	JL 7301 5Q	Tank Cover Side LH - Yellow	1	
	JL 7301 5M	Tank Cover Side LH - Red	1	
3	JL 7302 5P	Tank Cover Side RH - Blue	1	
	JL 7302 5N	Tank Cover Side RH - Black	1	
	JL 7302 5Q	Tank Cover Side RH - Yellow	1	
	JL 7302 5M	Tank Cover Side RH - Red	1	
4	JL 7602 5P	Side Mask RH - Blue	1	
	JL 7602 5N	Side Mask RH - Black	1	
	JL 7602 5Q	Side Mask RH - Yellow	1	
	JL 7602 5M	Side Mask RH - Red	1	
5	JL 7601 5P	Side Mask LH - Blue	1	
	JL 7601 5N	Side Mask LH - Black	1	
	JL 7601 5Q	Side Mask LH - Yellow	1	
	JL 7601 5M	Side Mask LH - Red	1	
6	52 JL00 65	Front Fender Blue	1	
	52 JL00 66	Front Fender Black	1	
	52 JL00 67	Front Fender Yellow	1	
	52 JL00 59	Front Fender Red	1	

Painted Parts and Decals



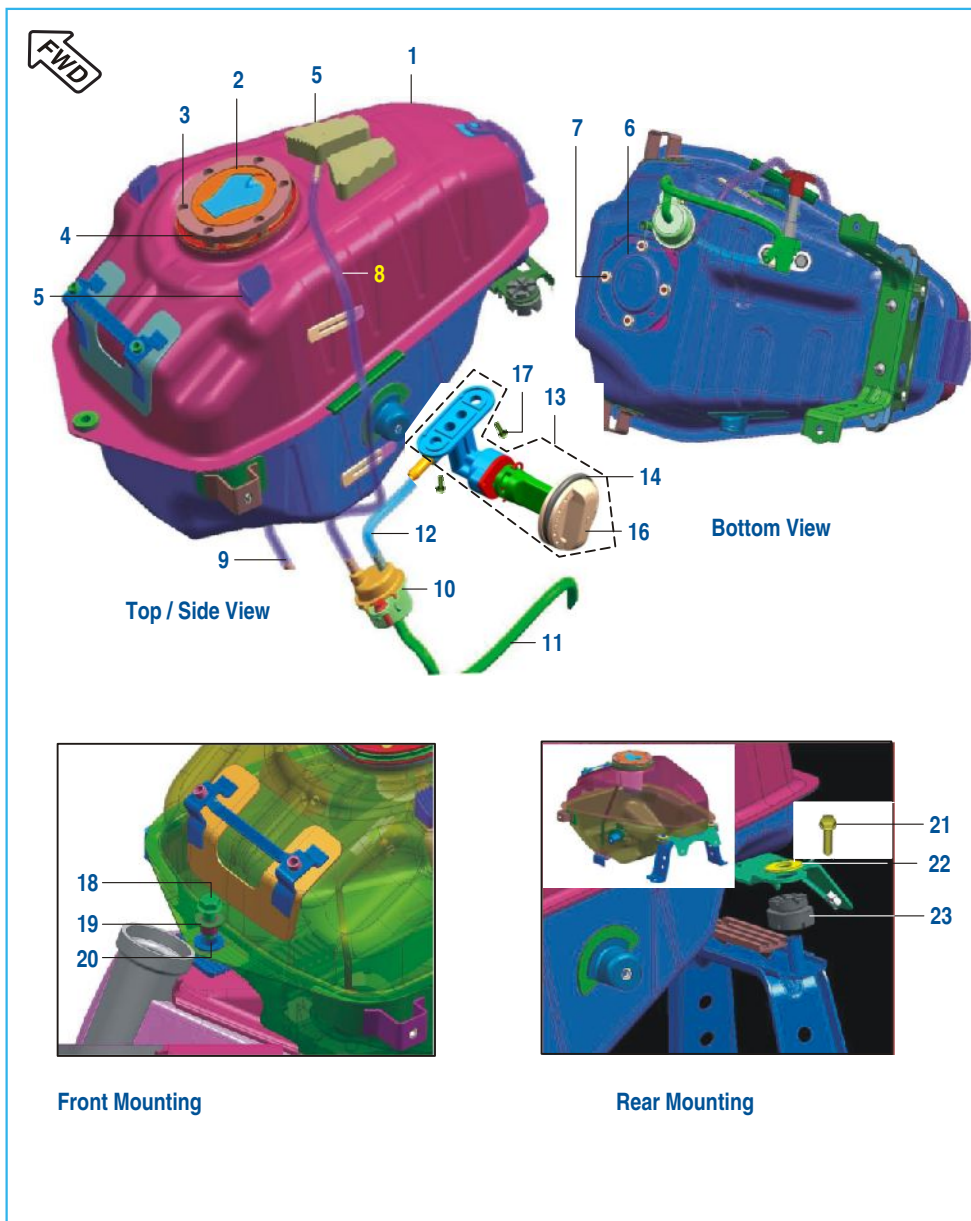
No.	Part No.	Description	Qty.	Remarks
7	JL 7801 5P	Seat Cowl Assy - Blue	1	Common
	JL 7801 5N	Seat Cowl Assy - Black	1	
	JL 7801 5Q	Seat Cowl Assy - Yellow	1	
	JL 7801 5M	Seat Cowl Assy - Red	1	
8	52 JL00 54	Cover Side LH Assly	1	
9	52 JL00 55	Cover Side RH Assly	1	
10	JL 2330 04	3D Decal Tank RH	1	
11	JL 2330 03	3D Decal Tank LH	1	
12	JL 2330 02	'B' Logo	1	
13	36 JL00 26	Fairing DCL	1	
14	36 JL00 27	Fender DCL-Red	1	
	36 JL00 28	Fender DCL-Blue	1	
	36 JL00 29	Fender DCL-Black	1	
	36 JL00 30	Fender DCL-Yellow	1	
15	JL 2330 05	Decal Side Cover 4 Valve	2	
16	JL 2330 06	Decal Seat Cowl 200 NS	2	

Radiator Covers



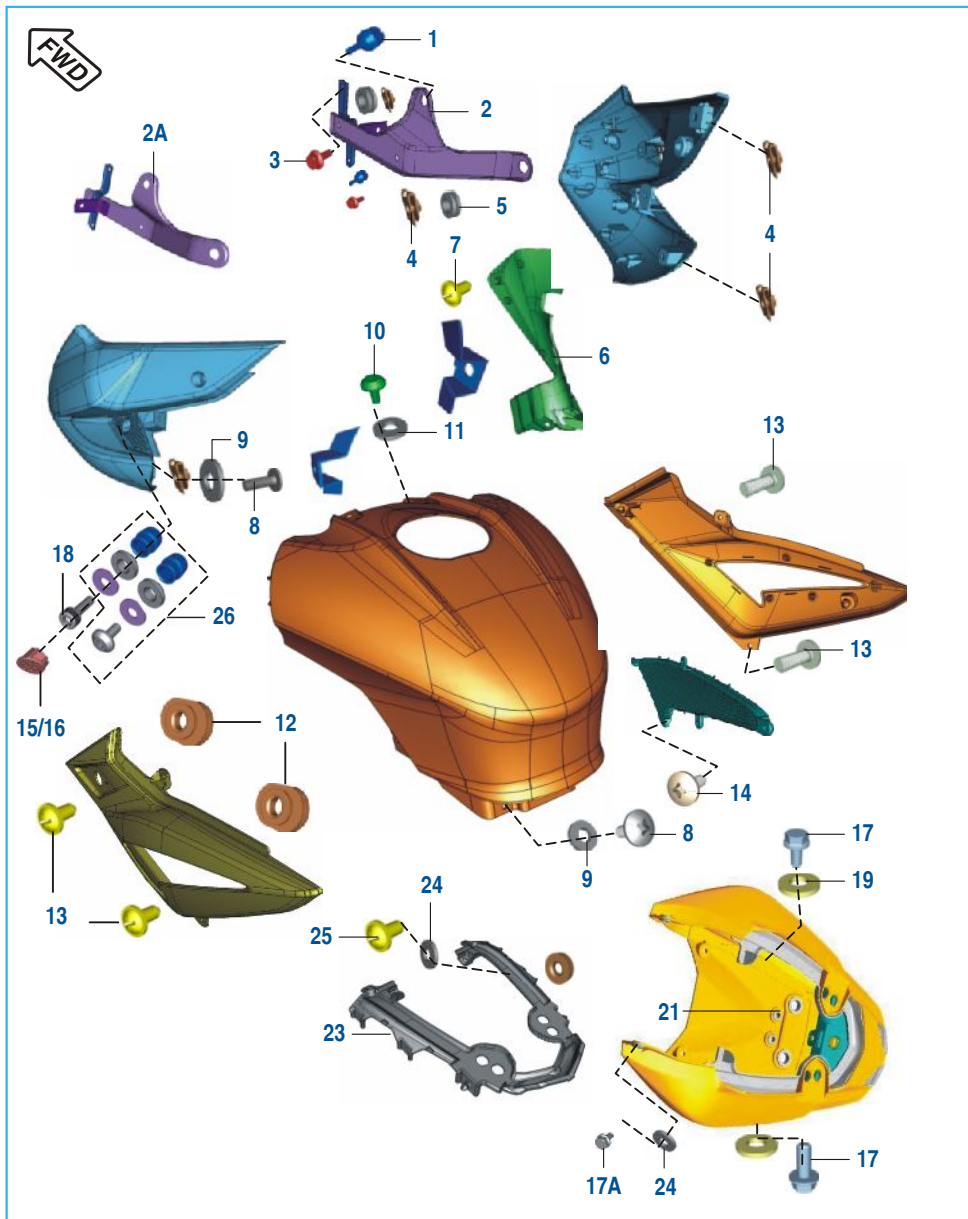
No.	Part No.	Description	Qty.	Remarks
1	JL 1812 29	Shroud Assy RH	1	
2	KB UB05 12	Screw Trus	4	
3	JW 1812 36	Clip Nut M5	4	
4	KB UA06 12	Screw - Truss	4	
5	39 1672 04	Bolt - Flange : M6 X 16	2	
6	JL 1812 32	Shroud Mtg Bkt RH	1	
7	39 2141 24	Washer (Non Metallic Round Washer)	4	
8	JL 1812 26	Shroud Assy LH	1	
9	DJ 1810 65	Clip Nut M5	4	

Petrol Tank, Cap Tank and Gauge Fuel



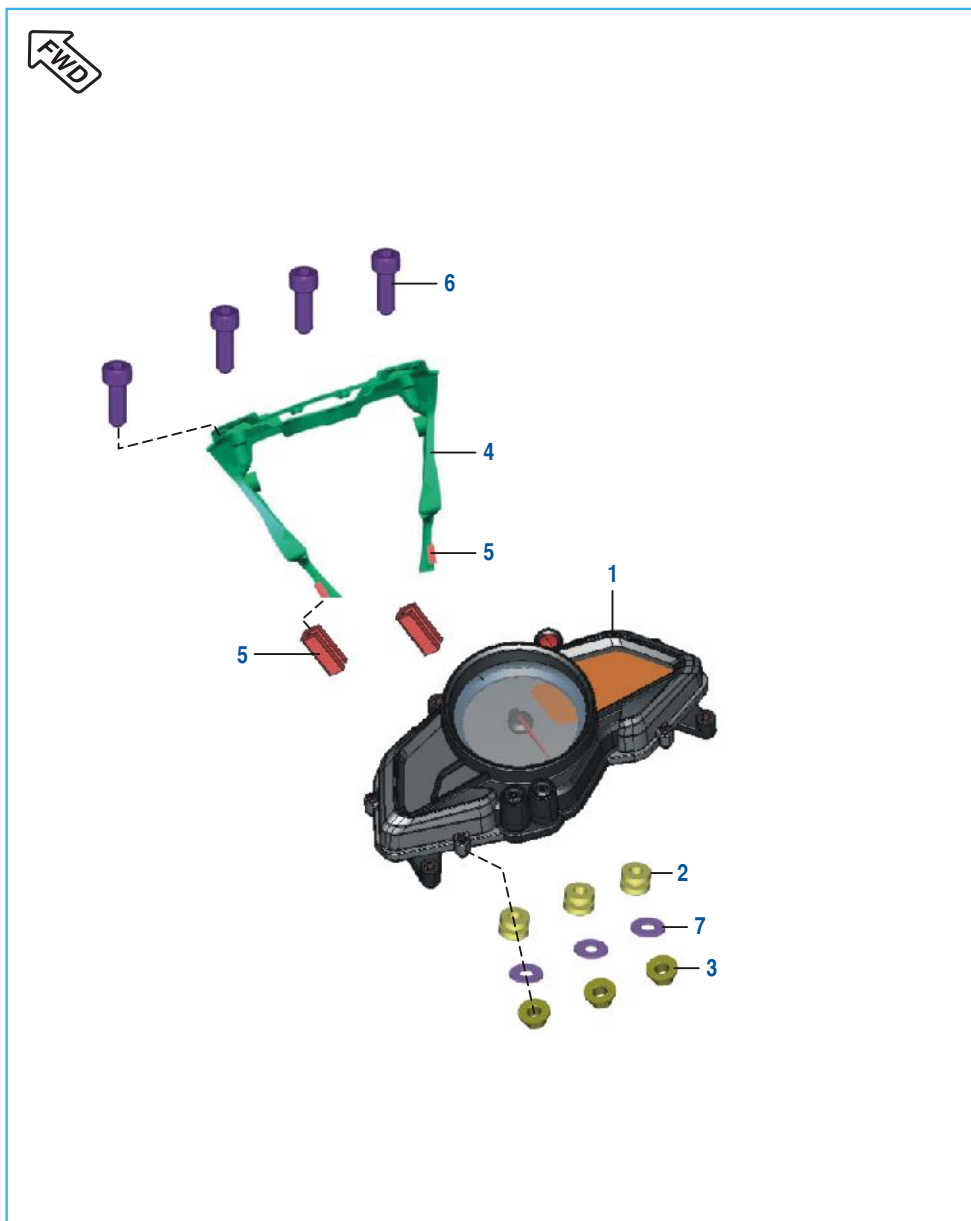
No.	Part No.	Description	Qty.	Remarks
1	JL 1710 44	Tank Assembly	1	
2	JL 1716 00	Cap Tank	1	
3	39 2381 04	Bolt - Hexagon Socket Head Cap:M5	6	
4	JL 1710 49	Damper Ring Tank Cap	1	
5	36 J100 12	Kit Tank Damper	1	
6	JL 4026 00	Sensor Fuel Level	1	
6A	39 2758 21	'O' ring for Fuel Sensor	1	N.I.
7	39 2484 15	Nut - Flange M5	4	
8	JL 1710 37	Breather Tube	1	
9	JL 1710 63	Pipe - Drain	1	
10	JL 1718 02	Filter Inline	1	
11	JL 1710 36	Tube Fuel (Carburettor)	1	
12	JL 1710 35	Tube Fuel (Tank)	1	
13	JL 1718 00	Tap Fuel Assembly	1	
14	JL 1710 60	O Ring-For Knob	1	
15	JL 1718 03	Pin Snap For Knob	1	
16	JL 1718 01	Knob Fuel Tap	1	
17	DD 1410 22	Bolt - Flanged	2	
18	39 1946 04	Bolt Tank mtg Front	1	
19	JL 1710 19	Sleeve Tank Mtg Front	3	
20	JL 1710 18	Grommet Tank Mtg Front	1	
21	39 1943 04	Bolt	2	
22	39 1054 11	Washer Plain	2	
23	JL 1710 20	Grommet Tank Mtg Rear	2	
24	JL 1710 96	Sealing Ring Fuel Cock	1	N.I.

Fittings - Petrol Tank Cover, Side Covers & Cover Seat



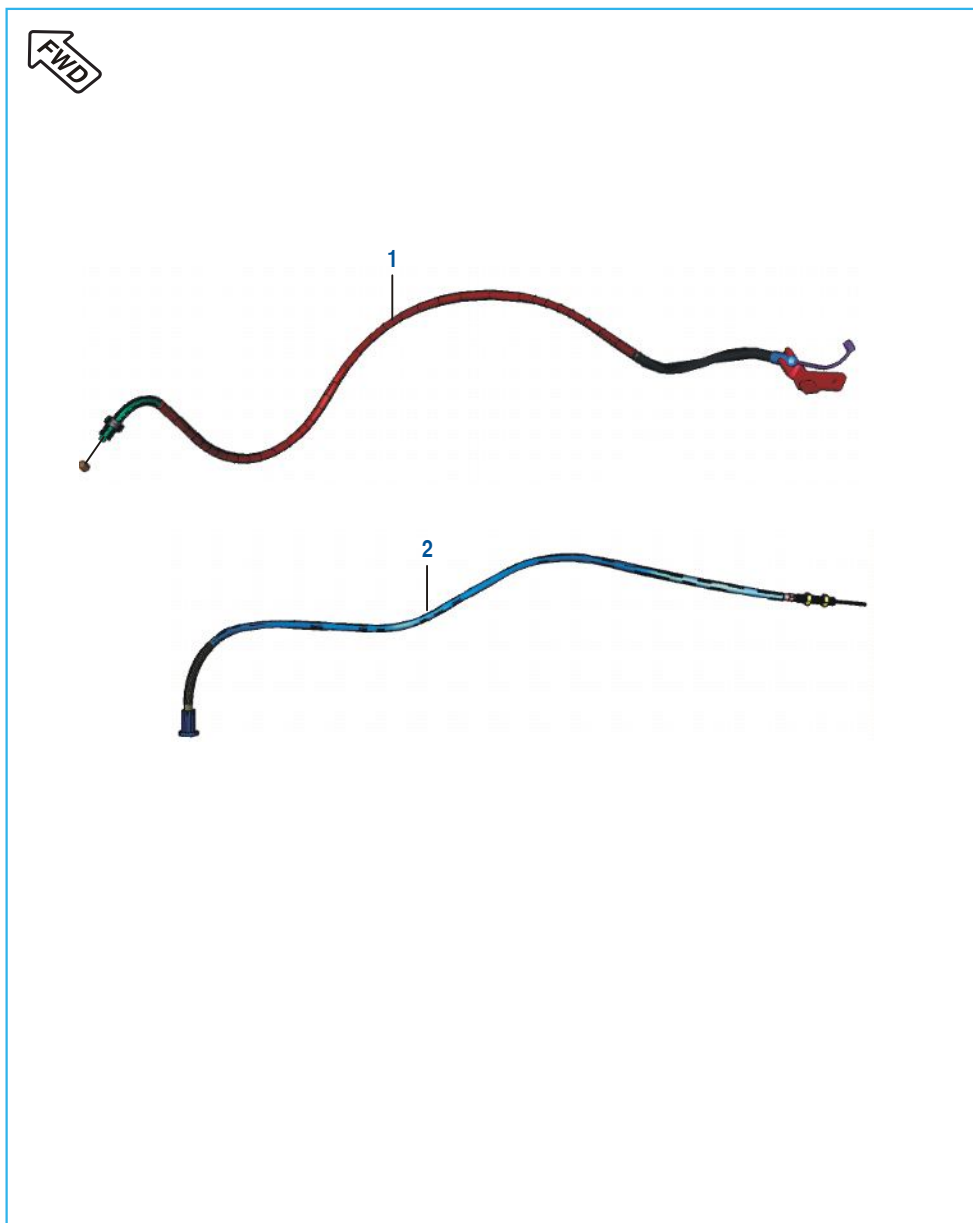
No.	Part No.	Description	Qty.	Remarks
1	JL 1710 57	Damper	4	
2	JL 1710 23	Bracket Side Cover Mtg Rh	1	
2A	JL 1710 22	Bracket Side Cover Mtg LH	1	
3	39 2060 04	Bolt - Flanged	4	
4	DJ 1612 29	Clip Nut	16	
5	JL 1710 24	Damper Structure Mtg	2	
6	JL 1710 48	Tank Cover Central	1	
7	39 1778 02	Screw - Tapping : 4 X 14	12	Center Cowling Mtg.
8	39 1907 01	Screw - Truss Cross : M5	8	
9	39 2141 24	Washer (Non Metallic Round Washer)	8	
10	LA C000 22	Bolt Socket-Special Head	4	
11	31 1610 78	Washer	4	
12	DS 1410 12	Grommet Side Cover	4	
13	39 1781 01	Screw	4	
14	59 0200 01	Screw Self Tapping 3.5X9.5	10	
15	JL 1710 62	Cover Mesh Rh	1	
16	JL 1710 61	Cover Mesh LH	1	
17	59 0400 14	Bolt Flanged M6X1	4	
17A	39 1943 04	Bolt - Flanged	2	
18	39 1197 04	Bolt - Socket : M6	2	
19	39 0239 11	Washer	2	
20	39 1076 01	Screw - M6	2	
21	DL 1610 15	Grommet	2	
22	JL 1812 19	Grommet	2	
23	JL 1812 14	Seal cowl inner	1	
24	LD A000 07	Washer Plain Small	4	
25	39 1776 02	Screw	4	
26	36 JL00 31	Kit Tank Cover Mtg Hardware	1	

Meter Assembly



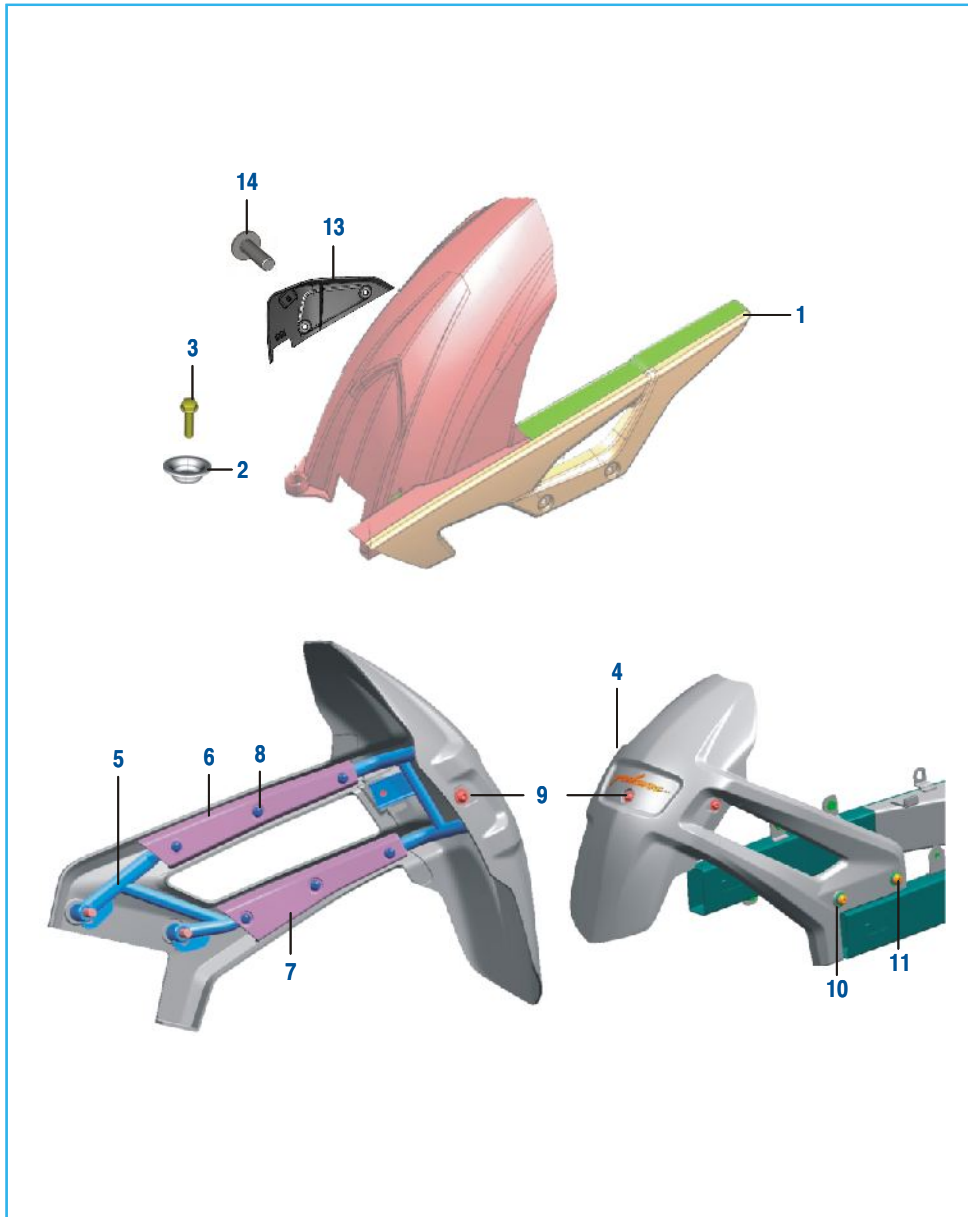
No.	Part No.	Description	Qty.	Remarks
1	JL 4024 00	Speedometer Assembly	1	
2	JG 1812 38	Grommet Dashboard	3	
3	39 0291 15	Nut - Hexagon M5 X 0.8	3	
4	JL 1812 41	Assembly Speedo Flap	1	
5	JB 1812 23	Beading Speedo Flap	2	
6	KA CB05 14	Bolt-Socket-Kac St-B Dia-05 L-14	4	
7	LD B000 07	Washer Plain	3	
8	JL 4024 03	Speedometer Harness	1	N.I.

Control Cables



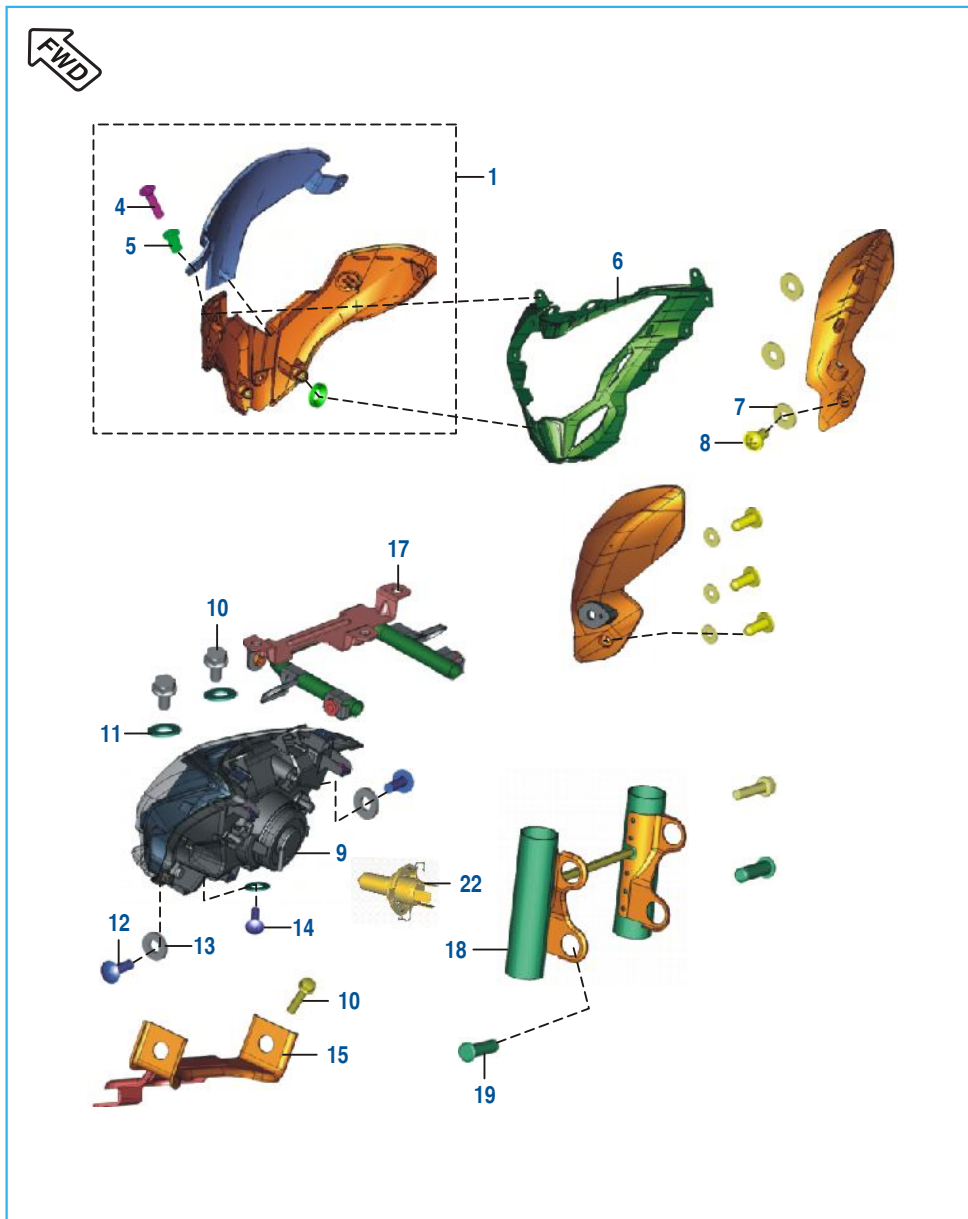
No.	Part No.	Description	Qty.	Remarks
1	JL 1612 01	Cable Throttle	1	
2	JL 1612 00	Cable Clutch	1	
3	JC 1510 19	Speed Sensor Assly.	1	N.I.

Chain Case



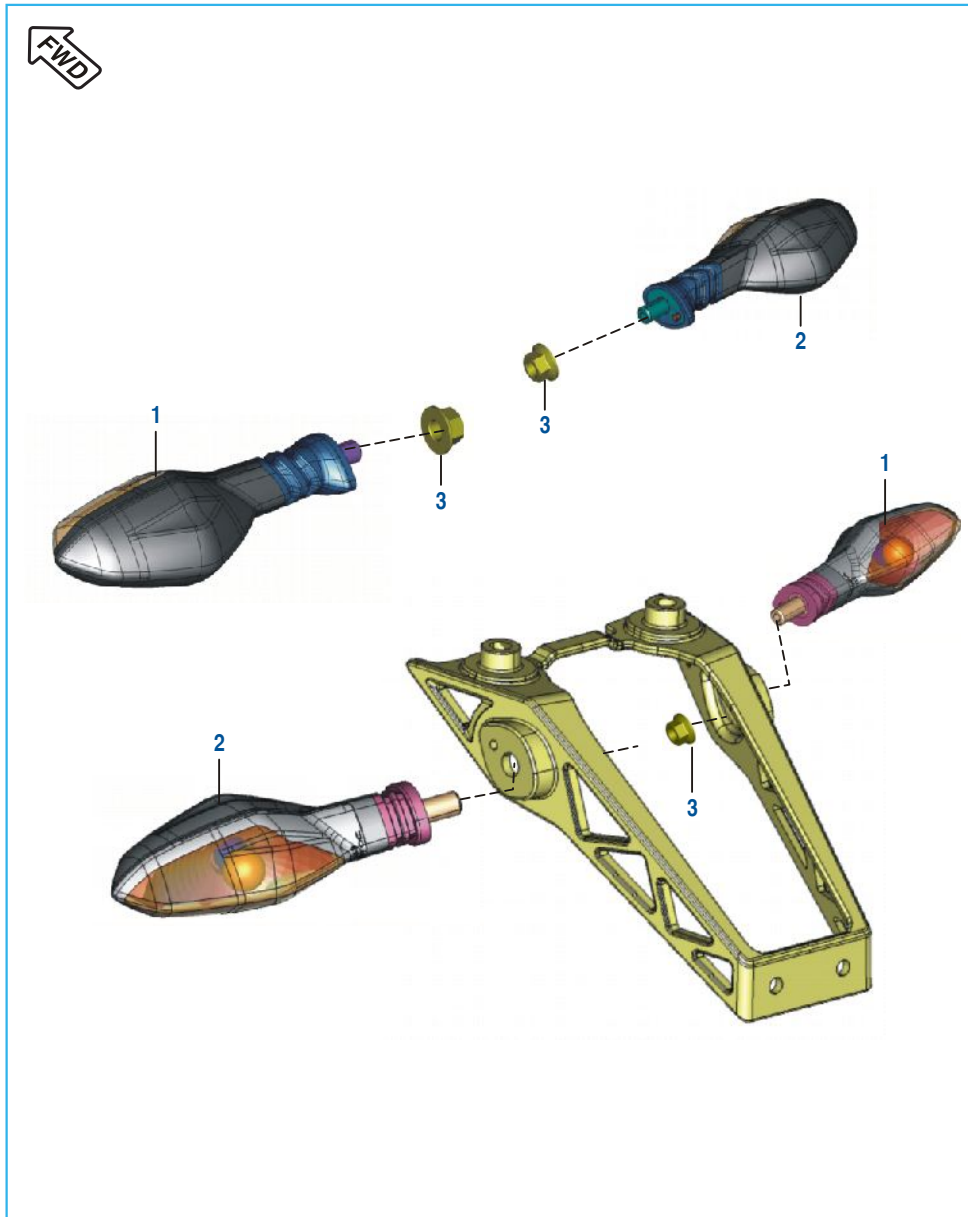
No.	Part No.	Description	Qty.	Remarks
1	JL 1812 05	Cover Assly Chain	1	
2	JG 1220 28	Extruded Washer	2	
3	39 1791 04	Bolt Flanged M6X8	2	
4	JL 1814 09	Asly Hugger Rear	1	
5	JL 1810 06	Tube Rear Hugger Mtg	1	
6	JL 1814 07	Cover 1- Hugger Rear	1	
7	JL 1814 08	Cover 2- Hugger Rear	1	
8	KB UB04 10	Screw	6	
9	LA C000 37	Bolt Soc-special Head	3	
10	39 0265 12	Spring Washer	2	
11	LA C000 36	Bolt Special Socket	2	
12	JL 1814 10	Collar Hugger Rear	2	
13	JL 1812 53	Chain Cover RH Side	1	
14	LA C000 08	Bolt Socket Head	2	

Head Lamp & Fairing



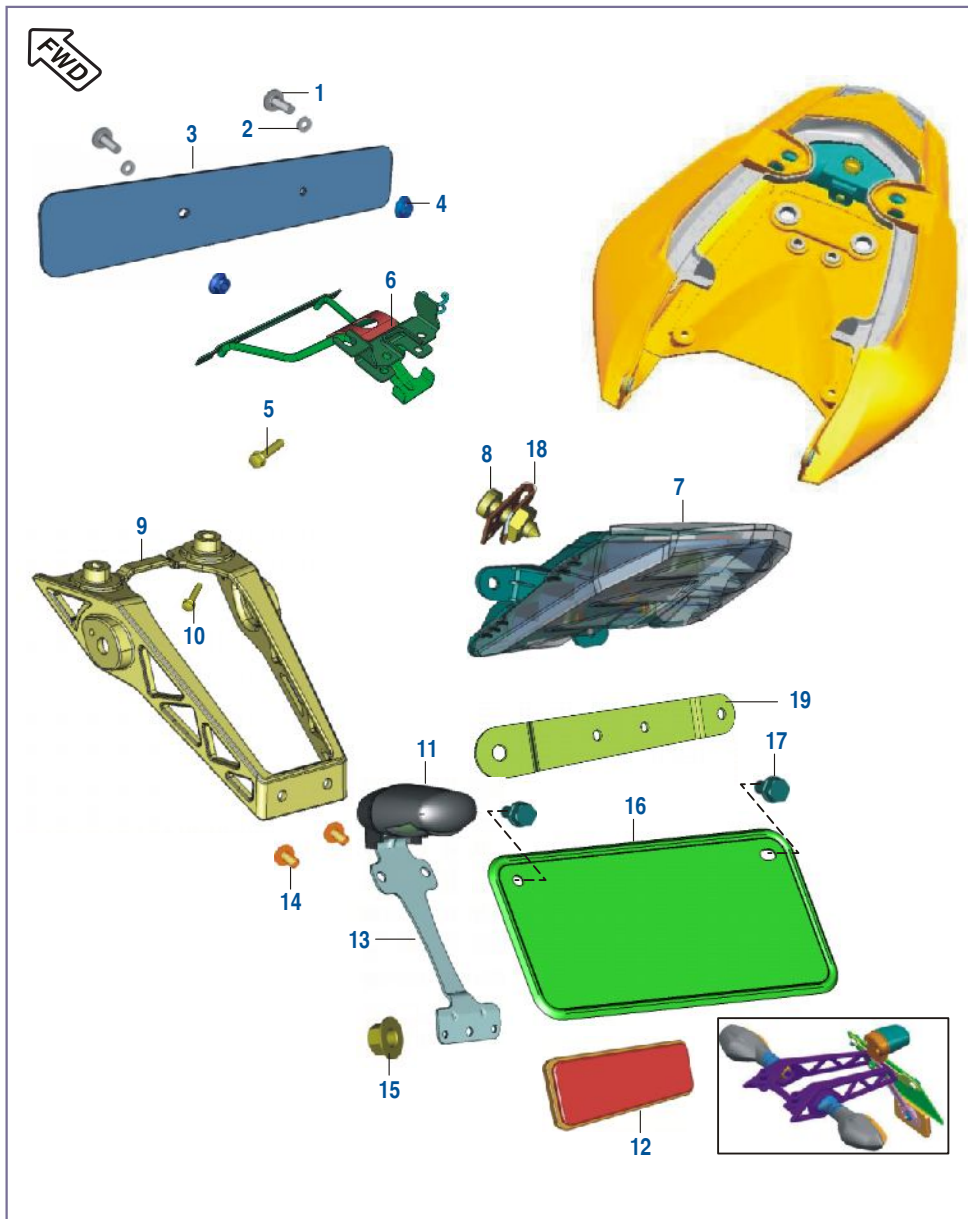
No.	Part No.	Description	Qty.	Remarks
1	JL 1810 08	Windshield Assembly	1	
2	JG 1812 36	Well Nut - M5 X 16 L	2	N.I.
3	JG 1812 35	Washer Special	2	N.I.
4	LB S000 01	Screw M5X20Lx4.8	2	
5	JL 1812 47	Grommet Wind Screen Mounting	2	
6	JL 1812 03	Fairing	1	
7	LD A000 07	Washer Plain Small	6	
8	LB R000 02	Self Tapping Screw - Dia 5	6	
9	JL 4010 12	Head Lamp Assy	1	
	JL 4010 10	Head Lamp W/O Bulb	1	
10	39 1943 04	Bolt - Flanged	2	
11	39 0198 11	Washer - Plain	3	
12	KB UC05 16	Screw - Truss - M5 X 16L, 4.8	2	Alt. LBU00009
13	39 2141 24	Washer (Non Metallic Round Washer)	2	
14	39 1781 01	Round Head Screw	1	
15	JL 1812 36	Bracket Lower Mtg	1	
16	JL 1812 49	Damper Head Lamp	1	N.I.
17	JL 1812 37	Bracket Upper Mtg	1	
18	JL 1812 35	Lamp Shade assly.	1	
19	KA Cb08 35	Bolt Pivot Mass Carrier	4	
20	JL 4010 11	Harness Head Lamp	1	N.I.
21	DK 2010 44	Bulb-Pilot (12V, W5W)	2	N.I.
22	EC 4010 30	Head Lamp Bulb 60/55W (H4)	1	

Indicator Light Assembly



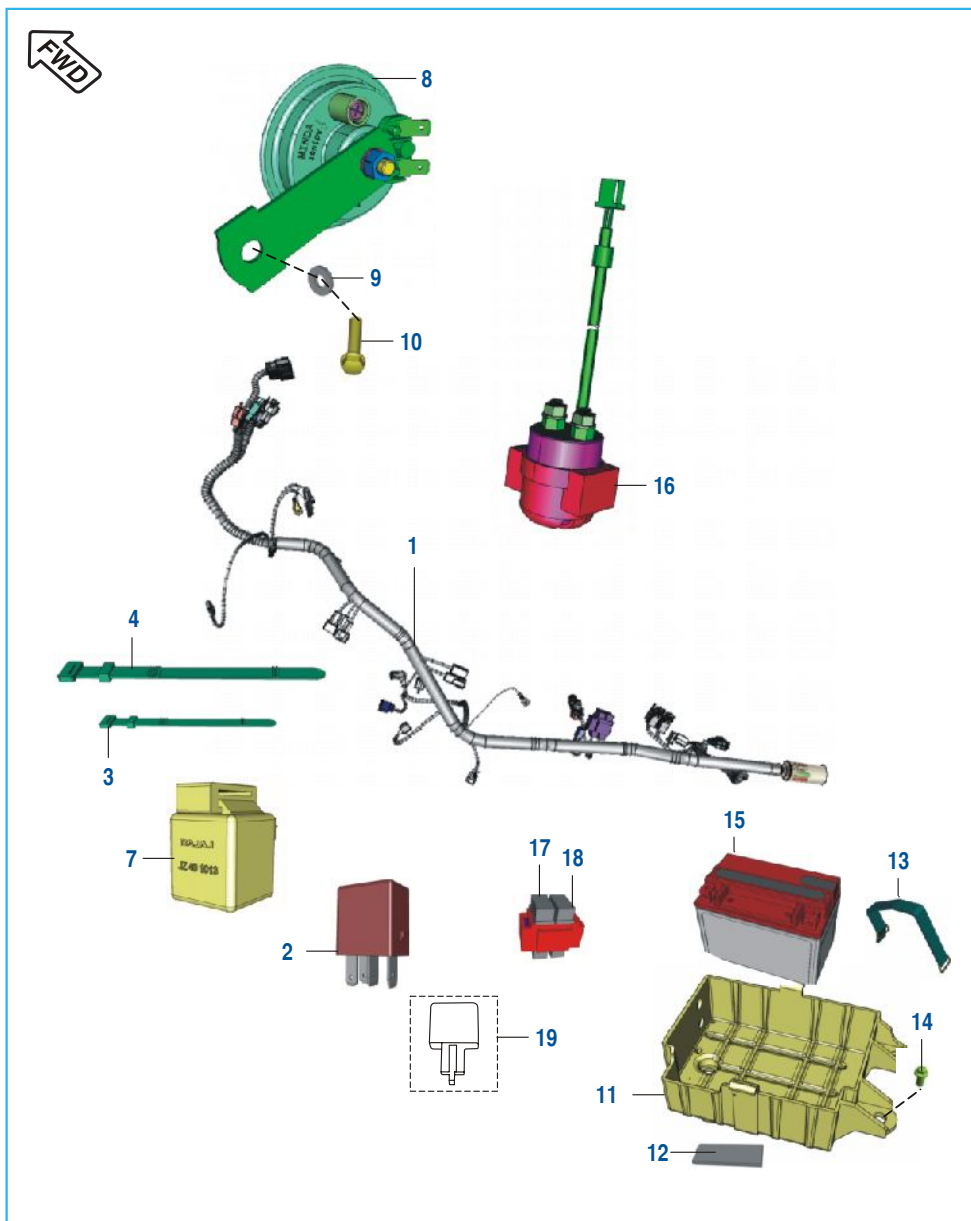
No.	Part No.	Description	Qty.	Remarks
1	JL 4010 04	Indicator Assy FR LH / RR RH	1	
2	JL 4010 03	Indicator Assy FR RH / RR LH	1	
3	39 1225 15	Nut - Hexagon With Flange : M10	4	

Tail Lamp Assly / Front Number Plate



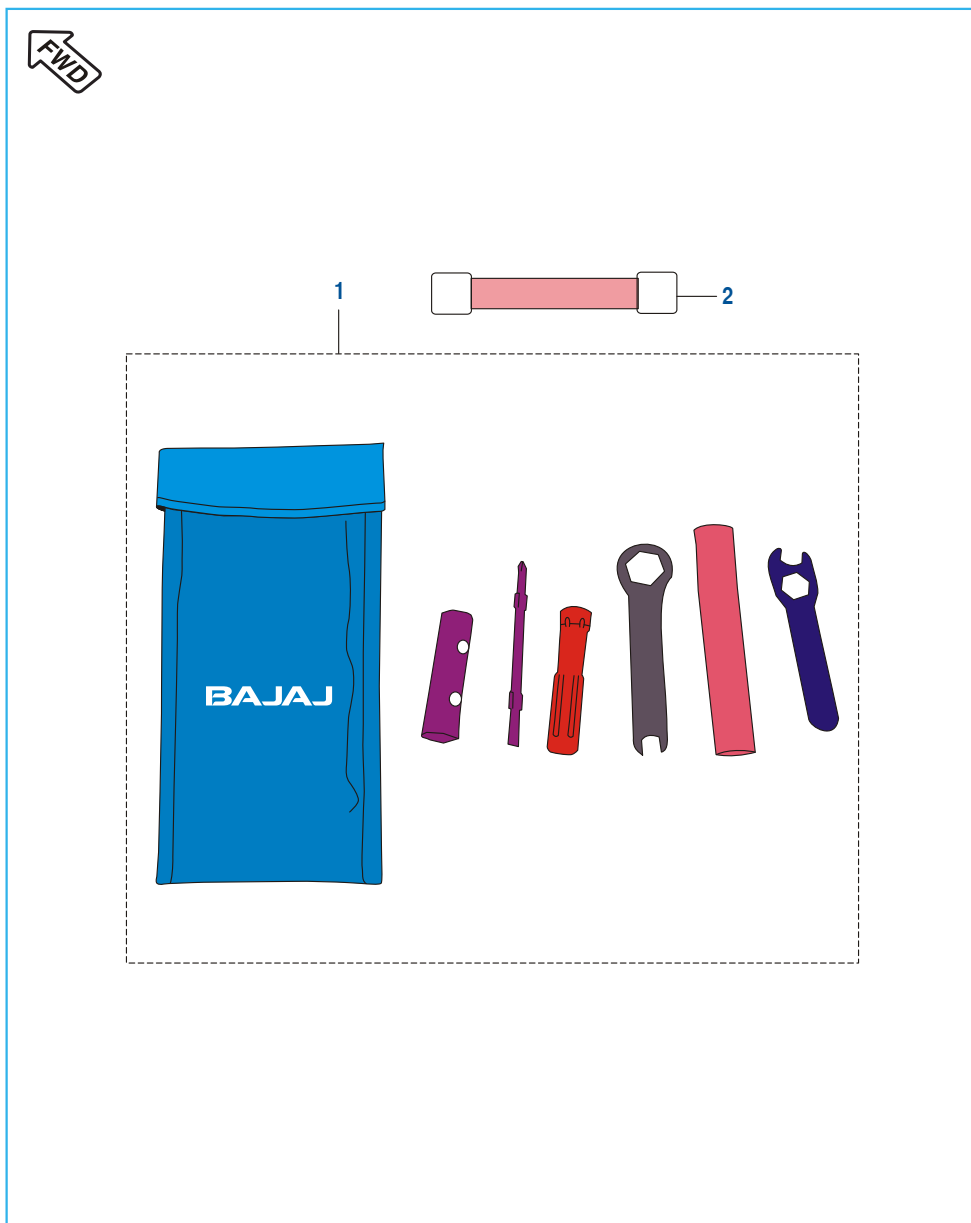
No.	Part No.	Description	Qty.	Remarks
1	LB U000 09	Screw Mashroom Head	2	
2	39 2141 24	Washer None Metallic	2	
3	JU 2328 00	Front Number Plate	1	
4	LC A000 08	Flange Nut	2	
5	39 1769 04	Hex Flanged Bolt	2	
6	JL 2328 05	Bracket Number Plate Mtg	1	
7	JL 4010 02	Lamp Tail Assly	1	
8	39 1907 01	Screw - Truss Cross : M5	3	
9	JL 1138 00	Bracket Rear Blinker Mtg	1	
10	39 1681 04	Bolt M-6	2	
11	JD 4010 07	Rear Number Plate Lamp	1	
12	DD 2010 02	Reflector - Reflex	1	
13	JL 1138 03	Bracket -Reflector Reflex Mtg	1	
14	39 0705 01	Screw - M5	2	
15	39 1972 15	Nut	1	
16	DP 1611 45	Rear Number Plate	1	
17	39 2476 04	Bolt - Hexagon Head With Flange:M6	2	
18	DJ 1612 29	Nut Clip	3	
19	PA 4022 04	Band (Length 110Mm)	2	N.I.
20	JD 1138 00	Bracket Rear Number Plate Mtg	1	
21	JD 4010 23	Cover Number Plate Lamp	1	

Electrical Equipments



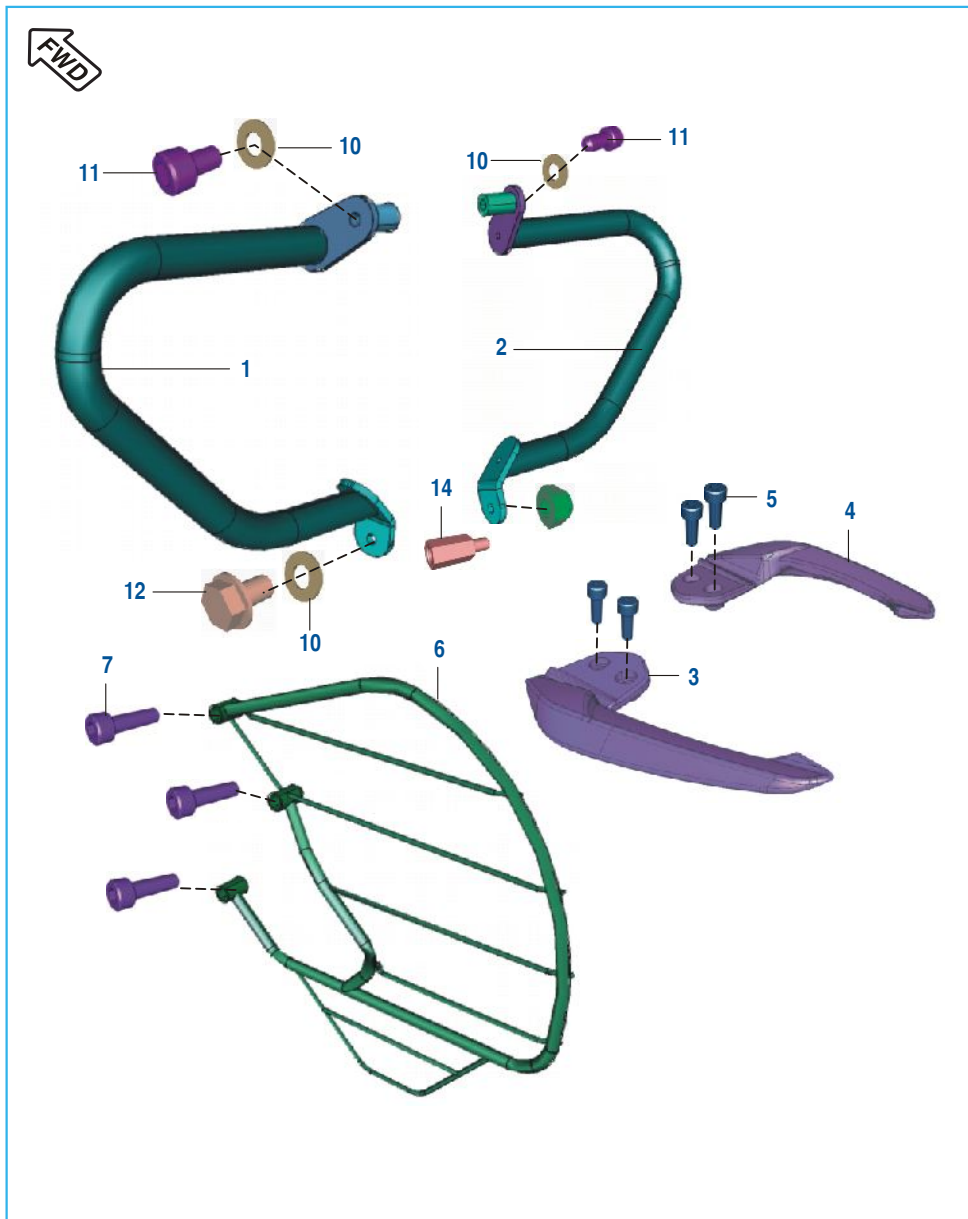
No.	Part No.	Description	Qty.	Remarks
1	JL 4022 03	Harness Wiring	1	
2	JL 4030 00	Relay Inter lock	1	
3	30 1910 48	Band (123 mm)	5	
4	30 2010 64	Band (149 mm)	3	
5	JL 4022 01	Cable Assy Relay To Motor	1	N.I.
6	JL 4022 02	Cable Earth	1	N.I.
7	JZ 4010 13	Headlamp Control Unit	1	
8	JL 4016 00	Horn LH	1	
9	39 1507 11	Washer - Plain	1	
10	39 2205 04	Hex Head Bolt - Flanged M8	1	
11	JL 1812 18	Battery Case	1	
12	JL 4018 03	Foam Bottom Battery	11	
13	JL 4018 01	Battery Band	1	
14	39 1944 04	Bolt - Flanged	4	
15	JG 4018 00	12V 8Ah VRLA Battery	1	
16	JN 3516 04	Starter Relay- With Grommet	1	
17	JL 4022 08	Fuse - 20A (Blade Type)	2	
18	AP 2010 25	Fuse 15A (Blade Type)	2	
19	DS 2010 25	Flasher - D. C. Solid State	1	
20	PA 4022 04	Band (Length 110 mm)	2	N.I.
21	JD 4022 12	Band (Length 200 mm)	1	N.I.
22	JD 4022 17	Band (Length 150 mm)	2	N.I.

Tool Kit



No.	Part No.	Description	Qty.	Remarks
1	DJ 2210 19	Tool Kit	1	Not Serviceable
2	DK 2210 24	Band Tool Kit	2	

Accessories / Grab Handle



No.	Part No.	Description	Qty.	Remarks
1	JL 2312 01	Guard Leg LH	1	
2	JL 2312 03	Guard Leg Guard Rh	1	
3	JL 2314 04	Grab Handle Assy Lh	1	
4	JL 2314 05	Grab Handle Assy Rh	1	
5	LA C000 17	Bolt Socket M8 X 1.25	4	
6	JL 2312 02	Guard Saree	1	
7	KA CB06 22	Bolt Socket L-22	3	
8	JL 2316 00	Mirror Assly LH	1	
9	JL 2316 01	Mirror Assly RH	1	
10	KD BE06 13	Washer	2	
11	KA CA06 35	Bolt Socket	2	
12	LA D000 40	Bolt Flanged M6-6L	1	
13	JU 2312 07	Nut Nyloc M8X1.25	1	
14	JU 2312 05	Nut Leg Guard Mounting	1	

Kit List



Sr No	Kit Part No.	Kit Description	Consisting of Following Parts		
			Part No.	Description	Qty/Kit
1.	36JL0005	Kit Primary Drive+driven-P200	JG551216	Gear Primary Drive 22T	1
			JU551405	Housing Clutch Assy Comp	1
2.	36JL0009	Kit Chain Sprocket-P200	DV101048	Sprocket Output (14T)	1
			JL141000	Chain O Ring Type	1
			JL131228	Sprocket 39T O Ring Chain	1
3.	36JL0011	Kit Valve Repaire-P200	39201719	Seal - Oil	1
			JF511215	Seat Valve Spring	1
			JF511217	Valve Spring	1
			JF511214	Retainer Valve Spring	1
			DG101029	Collet	2
4.	36JL0012	Kit Tank Damper-P200	JL171028	Damper Tank Cover Fr LH	1
			JL171029	Damper Tank Cover Fr RH	1
			JL171030	Damper Tank Cover Center LH	1
			JL171031	Damper Tank Cover Center RH	1
			JL171032	Damper Tank Cover Rear	1
			JL171038	Beading Tank LH	1
5.	36JL0013	Kit Seat Damper-P200	JL191007	Damper For Seat	6
			DK211007	Damper Seat Front	1
6.	36JL0014	Kit Engine Gasket-P200	JL541207	Gasket Clutch Cover	1
			JL541208	Gasket Magneto Cover	1
			JL521002	Gasket Cylinder Block	1
			JL511022	Gasket Cylinder Head	1
			JG541041	Gasket Crankcase	1
			CS101128	Gasket	1
			JL511001	Gasket Head Cover(rubber)	1
			JG591070	Gasket Exhaust	1
7.	36JL0003	Kit Assly C'case LH-P200	J1541019	Crankcase LH Black	1
			JC101077	Plug Taper	2
			JG541021	Oil Nozzle	1
			JG541015	Needle Bearing HK 1514 RS	1
			39256220	Bearing - Needle Roller	1
			JG541020	Jet Oil Crankcase RH	1

Kit List



Sr No	Kit Part No.	Kit Description	Consisting of Following Parts		
			Part No.	Description	Qty/Kit
8.	36JL0004	Kit Assly C' Case RH-P200	JL541010	Crankcase RH Black	1
			BA102003	Plug - Oil Hole	3
			39256220	Bearing - Needle Roller	1
			JL541008	Pipe Breather Crankcase	1
9.	36JL0007	Kit Block & Piston-P200	JL521200	Piston Assly Compl	1
			JL521004	Cylinder Block With Pipe Breather	1
10.	36JL0010	Kit Assly Cyl Head-P200	JL511019	Cylinder Head	1
			39128321	Ring - O	1
			JG511046	Stud (M8*1.25)	2
11.	36JL0001	Kit Chain Guide-P200	JL531004	Guide Chain (Slack Side)	1
			JL531005	Guide Chain (Tight Side)	1
12.	36JL0002	Kit Asly Cl Cover-P200	JL541206	Clutch Cover P2011	1
			JC101077	Plug Taper	1
			JL541218	Jet Oil Cover Clutch	1
			JG541021	Oil Nozzle	2
			39199020	Bearing - Needle	1
13.	36JU0001	Kit Piston Ring-P200	JU521206	Ring Piston Top	1
			JU521207	Ring Piston Second	1
			JU521208	Ring Piston Oil	1
14.	36JU0002	Kit Friction Plate-P200	JG551448	Friction Disk A	5
			JG551455	Disc C-Clutch Friction	1
15.	36JL0019	Kit Jet P200	-- ---- --	Jet Needle	1
			-- ---- --	Needle Jet	1
			-- ---- --	Je Holder	1
			-- ---- --	Main Jet	1
			DK121063	Pilot Jet	1
16.	36JL0022	Kit Piston Valve P200	-- ---- --	Vacuum Piston Compl.	1
			DK121055	Diaphragm	1
			DK121054	Spring	1

Kit List

Sr No	Kit Part No.	Kit Description	Consisting of Following Parts		
			Part No.	Description	Qty/Kit
17.	36JL0020	Kit VC Screw P200	-- ---- --	Screw Adjuster VC	1
			DH121130	O- Ring Screw VC	1
			DH121086	Spring Screw VC	1
			DH121087	Plain Washer	1
			DH121088	O- Ring Screw VC	1
18.	36JL0021	Kit Idling Screw P200	-- ---- --	Screw Idling Adjustment	1
			DH121163	Plain Washer	1
			DH121077	Spring	1
19.	36JL0023	Kit Gasket / 'O' ring P200	DK121058	O-Ring / Gasket Float Chamber	1
			DH121118	O-Ring - Drain Screw	1
			DH121088	O-Ring - VC Screw	1
			DH121130	O-Ring - VC Screw	1
20.	36JL0024	Kit Jet Needle Hardware P200	DD121056	Holder For Jet Needle	1
			DD121050	Spring-Jet Needle	1
			DD121052	Washer-Jet Needle	1
			Dd121054	E-Clip	1

Kit List

Sr No	Kit Part No.	Kit Description	Consisting of Following Parts		
			Part No.	Description	Qty/Kit

Parts Index



Part Number	Figure No.	Page No.
28 1210 08	5	26
30 1011 95	3	32
30 1910 48	3	102
30 2010 64	4	102
31 1011 73	7	12
31 1610 78	11	88
31 2010 79	5	72
36 DH19 02	4	64
36 JG00 11	7	50
36 JG00 18	20	70
36 JL00 01	15	8
36 JL00 02	1	30
36 JL00 03	1	22
36 JL00 04	2	20
36 JL00 05	3	34
36 JL00 07	1	10
36 JL00 09	2	68
36 JL00 10	4	4
36 JL00 11	10	6
36 JI00 12	5	86
36 JL00 13	2	46
36 JL00 15	14A	54
36 JL00 17	20	96
36 JL00 19	5	36
36 JL00 20	6	36
36 JL00 21	7	36
36 JL00 22	8	36
36 JL00 23	10	36
36 JL00 24	9	36
36 JL00 25	1	58
36 JL00 26	13	82

Part Number	Figure No.	Page No.
36 JL00 27	14	82
36 JL00 28	14	82
36 JL00 29	14	82
36 JL00 30	14	82
36 JL00 31	26	88
36 JL00 41	24	54
36 JU00 01	2	10
36 JU00 02	6	34
39 0198 11	11	96
39 0239 11	8	38
39 0239 11	15	56
39 0239 11	19	88
39 0242 11	9	56
39 0265 12	10	94
39 0291 15	3	90
39 0326 15	11	56
39 0422 15	11	58
39 0454 11	11	52
39 0553 02	12	52
39 0705 01	14	100
39 0746 01	21	20
39 0808 08	6	18
39 0840 01	13	62
39 0849 14	15	42
39 0900 12	12	62
39 0983 08	21	86
39 0999 06	6	26
39 0999 06	11	30
39 0999 06	4	32
39 1041 19	10	30
39 1043 19	8	22

Parts Index



Part Number	Figure No.	Page No.
39 1046 19	15	30
39 1054 11	22	86
39 1062 04	9	48
39 1076 01	20	88
39 1180 11	3	74
39 1197 04	18	88
39 1225 15	3	98
39 1283 21	9	4
39 1507 11	9	102
39 1537 21	7A	30
39 1665 11	15	24
39 1672 04	5	84
39 1673 04	10	4
39 1681 04	10	100
39 1769 04	2	72
39 1773 04	6	22
39 1776 02	25	88
39 1778 02	7	88
39 1780 01	16	36
39 1781 01	13	88
39 1781 01	14	96
39 1791 04	3	94
39 1907 01	8	88
39 1907 01	8	100
39 1913 04	11	46
39 1931 20	6	12
39 1931 20	3	20
39 1941 04	4	58
39 1943 04	8	56
39 1943 04	17A	88
39 1943 04	10	96

Part Number	Figure No.	Page No.
39 1944 04	23	28
39 1944 04	21	44
39 1944 04	5	50
39 1944 04	14	102
39 1946 04	7	56
39 1946 04	5	58
39 1946 04	18	86
39 1951 04	3	48
39 1954 04	18	54
39 1972 15	15	100
39 1990 20	2	30
39 2005 11	18	20
39 2017 19	1	6
39 2038 04	6	56
39 2038 04	17	68
39 2060 04	13	58
39 2060 04	3	88
39 2132 17	5	10
39 2141 24	7	84
39 2141 24	9	88
39 2141 24	13	96
39 2141 24	2	100
39 2158 11	2	14
39 2165 11	15	12
39 2165 11	8	42
39 2181 06	3	10
39 2200 11	10	12
39 2200 11	12	34
39 2203 07	5	12
39 2204 04	14	28
39 2205 04	10	102

Parts Index



Part Number	Figure No.	Page No.
39 2241 20	3	62
39 2241 20	3	68
39 2242 20	4	68
39 2381 04	3	86
39 2420 01	10	56
39 2427 04	10	74
39 2440 11	12	6
39 2453 04	9	18
39 2469 04	6	58
39 2475 04	5	54
39 2475 04	6	72
39 2476 04	17	100
39 2484 15	7	86
39 2492 11	12	40
39 2562 20	20	20
39 2562 20	13	22
39 2601 20	11	20
39 2602 20	8	20
39 2606 07	3	16
39 2608 01	15	4
39 2629 21	8	4
39 2669 21	10	8
39 2699 20	16	4
39 2723 15	6	48
39 2754 04	11	40
39 2758 21	6A	86
52 JL00 54	8	82
52 JL00 55	9	82
52 JL00 59	6	80
52 JL00 65	6	80
52 JL00 66	6	80

Parts Index



Part Number	Figure No.	Page No.
DG 1010 29	9	6
DG 1014 18	8	30
DG 1014 56	10	22
DG 1210 02	12	38
DG 1510 05	4	62
DG 1611 24	2	58
DG 1710 15	17	52
DG 1710 16	4	52
DG 1710 17	19	52
DG 1710 18	5	52
DG 1710 19	6	52
DG 1810 08	8	74
DG 1810 08	25	78
DH 1010 48	9	24
DH 1011 63	11	42
DH 1011 99	6	44
DH 1012 35	12	14
DH 1012 95	11	6
DH 1013 36	13	14
DH 1013 81	3	22
DH 1013 82	14	42
DH 1013 83	9	20
DH 1013 83	17	30
DH 1013 92	14	8
DH 1013 96	9	42
DH 1015 09	3	18
DH 1016 07	5	40
DH 1016 48	13	34
DH 1110 13	16	44
DH 1110 16	17	44
DH 1210 63	14	36

Part Number	Figure No.	Page No.
52 JL00 67	6	80
52 JL00 73	1	30
59 0200 01	14	88
59 0400 14	17	88
59 1000 02	16	42
59 2000 06	11	22
59 2000 28	14	20
59 2000 36	2	24
59 2100 19	11	62
AN 1110 15	13	44
AP 1012 36	3	8
AP 2010 25	18	102
BA 1220 03	21	86
BF 5510 37	6	14
BF 5510 37	15	14
CB 1210 42	12	36
CS 1011 28	12	8
DD 1110 11	18	44
DD 1110 12	11	44
DD 1410 22	17	86
DD 2010 02	12	100
DE 1510 46	10	70
DE 1510 47	3	66
DE 1510 47	9	70
DE 1910 10	10	64
DE 1910 10	8	70
DE 1910 11	11	64
DE 1910 28	7	64
DE 1910 29	6	64
DE 1910 33	15	64
DF 1611 02	12	58

Part Number	Figure No.	Page No.
DH 1210 64	13	36
DH 1611 46	16	58
DH 1910 06	9	72
DH 1910 13	4	72
DH 1910 17	17	74
DJ 1510 74	7	66
DJ 1510 75	8	66
DJ 1610 69	3	56
DJ 1612 29	4	88
DJ 1612 29	18	100
DJ 1810 65	2	28
DJ 1810 65	22	28
DJ 1810 65	9	84
DJ 1910 23	14	64
DJ 1910 29	2	64
DJ 1910 30	3	64
DJ 1910 31	5	64
DJ 1910 56	8	64
DJ 1910 57	1	64
DJ 1910 82	11	74
DJ 1910 83	12	74
DJ 2011 00	9	64
DJ 2012 46	13	74
DJ 2210 19	1	104
DK 1012 25	14	4
DK 1012 84	5	44
DK 1013 52	25	14
DK 1013 86	10	24
DK 1015 96	12	42
DK 1016 05	13	42
DK 1110 11	20	44

Parts Index

Part Number	Figure No.	Page No.	Part Number	Figure No.	Page No.
DK 1110 28	8	44	DK 1810 19	8	76
DK 1210 45	21	36	DK 1810 20	10	76
DK 1210 47	15	36	DK 1810 21	6	76
DK 1210 58	23	36	DK 1810 22	16	76
DK 1210 78	23	36	DK 1810 23	17	76
DK 1510 12	9	68	DK 1810 25	23	78
DK 1510 13	8	68	DK 1810 28	24	78
DK 1510 15	14	68	DK 1810 73	15	76
DK 1510 26	2	60	DK 2110 07	3	46
DK 1510 31	2	70	DK 2210 24	2	104
DK 1510 31	11	70	DL 1610 15	21	88
DK 1510 36	1	68	DP 1011 14	16	34
DK 1510 63	7	70	DP 1011 43	15	34
DK 1510 69	4	70	DP 1611 45	16	100
DK 1510 73	17	70	DP 1011 91	23	20
DK 1510 74	12	70	DS 1011 54	8	24
DK 1510 81	20	68	DS 1012 15	9	30
DK 1510 82	21	68	DS 1211 26	13	38
DK 1510 83	1	70	DS 1410 12	12	88
DK 1510 85	13	70	DS 1611 25	2	56
DK 1510 88	11	70	DS 1612 87	6	46
DK 1510 89	12	70	DU 1012 25	7	8
DK 1810 06	4	76	DV 1010 48	29	14
DK 1810 07	5	76	EC 5610 23	2	16
DK 1810 09	14A	76	FD 2110 06	5	46
DK 1810 10	14B	76	JA 1134 03	5	48
DK 1810 12	14C	76	JA 3516 27	14	42
DK 1810 13	14D	76	JA 5410 48	15	22
DK 1810 15	11	76	JA 5412 33	2	32
DK 1810 17	9	76	JA 5813 14	11	36
DK 1810 18	7	76	JB 1812 23	5	90

Parts Index

Part Number	Figure No.	Page No.	Part Number	Figure No.	Page No.
JC 1010 34	9	8	JG 5110 21	3	2
JC 1510 19	3	92	JG 5110 22	4	2
JC 1510 20	8	62	JG 5110 46	5	4
JC 1810 22	21	76	JG 5112 70	11	8
JC 1810 23	20	76	JG 5310 31	9	12
JC 2010 46	10	62	JG 5310 39	13	12
JD 1318 11	6	62	JG 5310 39	5	42
JD 1910 06	8	46	JG 5310 40	14	12
JD 3512 07	12	44	JG 5310 40	6	42
JD 3518 00	17	36	JG 5310 41	12	12
JD 4010 07	11	100	JG 5310 41	4	42
JD 4010 23	21	100	JG 5312 07	7	24
JD 5614 16	5	18	JG 5312 11	3	24
JF 5112 07	7	6	JG 5312 12	4	24
JF 5112 25	8	12	JG 5312 15	5	24
JF 5112 28	1	8	JG 5312 20	2	8
JG 1220 28	2	94	JG 5410 15	12	22
JG 1310 01	2	62	JG 5410 41	16	22
JG 1312 19	6	68	JG 5410 44	5	22
JG 1318 21	5	70	JG 5410 45	22	20
JG 1710 29	20	28	JG 5410 46	4	20
JG 1812 35	3	96	JG 5410 58	18	22
JG 1812 36	2	96	JG 5410 59	10	20
JG 1812 38	2	90	JG 5410 63	4	22
JG 1910 08	4	46	JG 5410 68	1	4
JG 2326 01	9	46	JG 5412 30	7	30
JG 2326 06	10	46	JG 5412 31	16	30
JG 3514 00	13	4	JG 5510 00	22	14
JG 3510 19	10	42	JG 5510 10	26	14
JG 3512 09	9	44	JG 5510 13	3	14
JG 4018 00	15	102	JG 5510 15	5	30

Parts Index

Part Number	Figure No.	Page No.	Part Number	Figure No.	Page No.
JG 5510 17	4	30	JG 5612 00	10	18
JG 5510 19	27	14	JG 5612 04	15	20
JG 5510 20	5	14	JG 5612 05	16	20
JG 5510 20	18	14	JG 5612 15	11	16
JG 5510 21	19	14	JG 5612 15	11	18
JG 5510 22	10	14	JG 5612 17	13	18
JG 5510 25	11	14	JG 5612 18	12	18
JG 5510 27	1	14	JG 5612 22	5	16
JG 5512 13	4	14	JG 5612 25	10	16
JG 5512 14	7	14	JG 5612 26	19	20
JG 5512 15	20	14	JG 5710 14	24	20
JG 5512 20	8	14	JG 5710 16	25	20
JG 5512 22	16	14	JG 5710 18	3	26
JG 5512 23	17	14	JG 5710 22	2	26
JG 5512 24	21	14	JG 5710 24	14	22
JG 5512 25	23	14	JG 5810 14	8	50
JG 5512 27	9	14	JG 5910 38	3	40
JG 5512 28	14	14	JG 5812 42	9	30
JG 5514 23	14	34	JG 5812 42	22	36
JG 5514 27	2	34	JG 5910 39	6	40
JG 5514 28	4	34	JG 5910 53	13	40
JG 5514 43	8	34	JG 5910 70	10	40
JG 5514 47	7	34	JG 5910 88	15	40
JG 5514 49	5	34	JG 5910 96	7	40
JG 5514 51	11	34	JG 5910 97	8	40
JG 5610 09	17	20	JG 6010 05	6	24
JG 5610 10	4	16	JG 6010 07	6	20
JG 5610 11	1	16	JG 6010 11	12	24
JG 5610 12	7	16	JG 6010 12	13	24
JG 5610 13	8	16	JG 6010 13	11	24
JG 5610 16	9	16	JG 6012 09	8	28

Parts Index

Part Number	Figure No.	Page No.	Part Number	Figure No.	Page No.
JG 6012 10	7	28	JL 1130 32	23	54
JG 6012 11	18	28	JL 1130 33	4	54
JG 6012 21	13	28	JL 1130 33	7	72
JG 6012 29	17	28	JL 1130 34	7	54
JG 6012 35	17	28	JL 1130 36	21B	54
JG 6014 00	16	28	JL 1132 01	9	58
JG 6214 12	3	42	JL 1132 02	17	58
JG 6214 13	2	42	JL 1132 07	7	58
JG 6214 17	7	42	JL 1132 09	15	58
JL 1110 54	4	48	JL 1132 10	3	58
JL 1110 78	6	50	JL 1132 12	8	58
JL 1110 81	3	50	JL 1134 00	1	48
JL 1110 82	4	50	JL 1134 01	2	48
JL 1110 92	7	48	JL 1138 00	9	100
JL 1110 93	8	48	JL 1138 03	13	100
JL 1111 03	2	50	JL 1220 01	8	52
JL 1111 06	1	50	JL 1220 02	7	52
JL 1111 07	1	50	JL 1220 03	10	52
JL 1111 09	18	52	JL 1220 04	13	52
JL 1130 00	8	54	JL 1220 06	1	52
JL 1130 02	1	54	JL 1220 08	14	52
JL 1130 07	2	54	JL 1220 09	9	52
JL 1130 12	3	54	JL 1220 14	3	52
JL 1130 13	12	54	JL 1310 00	7	62
JL 1130 14	14	54	JL 1310 01	14	62
JL 1130 15	16	54	JL 1310 04	3	60
JL 1130 16	15	54	JL 1310 04	1	62
JL 1130 20	22	54	JL 1310 05	5	62
JL 1130 26	13	54	JL 1310 06	1	60
JL 1130 27	17	54	JL 1312 03	13	68
JL 1130 28	21A	54	JL 1312 09	4	60

Parts Index



Part Number	Figure No.	Page No.	Part Number	Figure No.	Page No.
JL 1312 11	15	68	JL 1610 01	1	72
JL 1312 16	5	68	JL 1610 03	15	74
JL 1312 18	16	68	JL 1610 06	8	72
JL 1312 19	5	60	JL 1610 08	16	74
JL 1312 20	6	70	JL 1610 10	3	72
JL 1312 25	7	68	JL 1612 00	2	92
JL 1312 26	11	68	JL 1612 01	1	92
JL 1318 02	12	64	JL 1710 18	20	86
JL 1318 03	3	70	JL 1710 19	19	86
JL 1318 04	1	66	JL 1710 20	23	86
JL 1318 05	6	66	JL 1710 22	2A	88
JL 1318 06	2	66	JL 1710 23	2	88
JL 1318 07	4	66	JL 1710 24	5	88
JL 1318 08	5	66	JL 1710 35	12	86
JL 1318 11	12	56	JL 1710 36	11	86
JL 1510 02	2	76	JL 1710 37	8	86
JL 1510 03	3	76	JL 1710 44	1	86
JL 1510 04	13	76	JL 1710 48	6	88
JL 1510 12	12	76	JL 1710 49	4	86
JL 1510 21	1	74	JL 1710 57	1	88
JL 1510 23	18	74	JL 1710 60	14	86
JL 1510 24	1	76	JL 1710 61	16	88
JL 1510 26	2	74	JL 1710 62	15	88
JL 1510 28	5	74	JL 1710 96	24	84
JL 1510 30	6	74	JL 1710 63	9	86
JL 1510 32	18	76	JL 1716 00	2	86
JL 1510 34	7	74	JL 1718 00	13	86
JL 1510 35	9	74	JL 1718 01	16	86
JL 1510 36	26	78	JL 1718 02	10	86
JL 1510 37	22	78	JL 1718 03	15	86
JL 1510 38	2A	74	JL 1810 06	5	94

Parts Index



Part Number	Figure No.	Page No.	Part Number	Figure No.	Page No.
JL 1810 08	1	96	JL 2312 01	1	106
JL 1812 03	6	96	JL 2312 02	6	106
JL 1812 05	1	94	JL 2312 03	2	106
JL 1812 09	13	56	JL 2314 04	3	106
JL 1812 14	23	88	JL 2314 05	4	106
JL 1812 18	11	102	JL 2316 00	8	106
JL 1812 19	22	88	JL 2316 01	9	106
JL 1812 21	14	56	JL 2330 02	12	82
JL 1812 24	15	52	JL 2330 03	11	82
JL 1812 25	16	52	JL 2330 04	10	82
JL 1812 26	8	84	JL 2330 05	15	82
JL 1812 29	1	84	JL 2330 06	16	82
JL 1812 32	6	84	JL 2330 15	9	32
JL 1812 35	19	76	JL 2330 15	11	32
JL 1812 35	18	96	JL 3510 03	3	44
JL 1812 36	15	96	JL 3510 09	2	44
JL 1812 37	17	96	JL 3512 00	10	44
JL 1812 41	4	90	JL 3512 01	14	44
JL 1812 47	5	96	JL 3512 02	15	44
JL 1812 49	16	96	JL 3516 00	1	42
JL 1812 53	13	94	JL 3518 00	7	22
JL 1812 56	3	28	JL 4010 02	7	100
JL 1814 02	4	56	JL 4010 04	1	98
JL 1814 05	1	56	JL 4010 06	2	98
JL 1814 07	6	94	JL 4010 12	9	96
JL 1814 08	7	94	JL 4014 00	20	74
JL 1814 09	4	94	JL 4014 01	21	74
JL 1814 10	12	94	JL 4014 02	10	58
JL 1814 11	5	56	JL 4014 03	19	74
JL 1910 01	1	46	JL 4016 00	8	102
JL 1910 04	7	46	JL 4018 01	13	102

Parts Index

Part Number	Figure No.	Page No.	Part Number	Figure No.	Page No.
JL 4018 03	12	102	JL 5412 08	5	32
JL 4020 01	1	44	JL 5412 10	13	30
JL 4022 01	5	102	JL 5412 21	26	20
JL 4022 02	6	102	JL 5412 22	18	30
JL 4022 03	1	102	JL 5412 23	10	32
JL 4022 08	17	102	JL 5614 01	1A	18
JL 4024 00	1	90	JL 5614 04	2	18
JL 4024 03	8	90	JL 5614 05	4	18
JL 4026 00	6	86	JL 5614 07	7	18
JL 4030 00	2	102	JL 5614 08	8	18
JL 4036 00	14	58	JL 5614 09	14	18
JL 5010 03	1	20	JL 5614 10	15	18
JL 5110 01	2	2	JL 5810 00	1	38
JL 5110 02	1	2	JL 5810 04	16	38
JL 5110 06	4	6	JL 5810 09	5	38
JL 5110 07	5	6	JL 5810 15	11	38
JL 5110 09	3	4	JL 5810 16	10	38
JL 5110 10	2	6	JL 5810 23	2	38
JL 5110 11	3	6	JL 5810 24	6	38
JL 5110 16	3	36	JL 5810 25	4	38
JL 5110 22	6	4	JL 5810 27	4	36
JL 5110 29	11	4	JL 5812 01	1	36
JL 5112 05	6	6	JL 5812 04	18	36
JL 5112 19	7	4	JL 5812 05	19	36
JL 5112 20	6	8	JL 5812 06	20	36
JL 5112 21	5	8	JL 5813 00	2	36
JL 5112 22	8	8	JL 5910 48	2	40
JL 5210 02	4	10	JL 5910 52	1	40
JL 5412 02	1	32	JL 5910 75	9	40
JL 5412 03	7	32	JL 5910 86	16	40
JL 5412 07	12	30	JL 5911 44	4	40

Parts Index

Part Number	Figure No.	Page No.	Part Number	Figure No.	Page No.
JL 5911 48	17	40	JL 7602 5M	4	80
JL 6010 00	6	28	JL 7602 5N	4	80
JL 6012 00	15	28	JL 7602 5P	4	80
JL 6012 08	12	28	JL 7602 5Q	4	80
JL 6012 09	21	28	JL 7801 5M	7	82
JL 6012 10	1	28	JL 7801 5N	7	82
JL 6012 12	11	28	JL 7801 5P	7	82
JL 6012 13	24	28	JL 7801 5Q	7	82
JL 6012 14	25	28	JN 3516 04	16	102
JL 6012 15	19	28	JU 2312 05	14	106
JL 6012 19	10	28	JU 2328 00	3	100
JL 6012 20	9	28	JU 5310 27	1	12
JL 6012 24	12	4	JU 5312 13	7	20
JL 6012 25	12A	4	JU 5312 13	1	24
JL 6012 27	24	28	JU 5410 05	13	20
JL 7301 5M	2	80	JU 5514 01	6	30
JL 7301 5N	2	80	JU 5514 02	10	34
JL 7301 5P	2	80	JU 5514 04	1	34
JL 7301 5Q	2	80	JU 5514 06	9	34
JL 7302 5M	3	80	JU 5710 00	1	26
JL 7302 5N	3	80	JW 1710 15	4	28
JL 7302 5P	3	80	JW 1812 36	3	84
JL 7302 5Q	3	80	JZ 1812 99	6	100
JL 7401 5M	1	80	JZ 4010 13	7	102
JL 7401 5N	1	80	KA CA06 35	11	106
JL 7401 5P	1	80	KA CA08 20	6	54
JL 7401 5Q	1	80	KA CB05 14	6	90
JL 7601 5M	5	80	KA CB06 22	7	106
JL 7601 5N	5	80	KA CB08 25	5	100
JL 7601 5P	5	80	KA CB08 35	19	96
JL 7601 5Q	5	80	KA DA06 16	5	28

Parts Index



Part Number	Figure No.	Page No.
KA DA06 30	7	38
KA DM06 10	6	38
KA DP05 16	27	20
KA DQ06 20	13	8
KA DQ06 25	14	40
KA DQ06 25	1A	42
KA DQ06 30	14	30
KA DQ06 30	6	32
KA DQ06 45	8	32
KA EM06 22	3	38
KA DQ06 20	14	24
KB BG06 12	19	20
KB QA35 06	17	38
KB UA06 12	4	84
KB UB04 10	8	94
KB UB05 12	2	84
KB UC05 16	12	96
KD BE06 13	10	106
KE AA11 10	4	26
KE BA37 15	9	22
LA A000 19	10	68
LA C000 08	14	94
LA C000 16	11	54
LA C000 17	5	106
LA C000 19	2	52
LA C000 20	4	74
LA C000 22	10	88
LA C000 24	6	16
LA C000 29	2A	106
LA C000 36	11	94
LA C000 37	9	94

Part Number	Figure No.	Page No.
LA D000 37	13	64
LA D000 40	9	50
LA D000 77	5	20
LA E000 10	7	44
LA E000 14	2	22
LA E000 16	8	6
LA E000 17	28	14
LA E000 18	7	26
LB B000 04	3	38
LB B000 06	12	20
LB R000 02	8	96
LB S000 01	4	96
LB U000 09	1	100
LC A000 08	4	100
LC A000 09	12	68
LC D000 01	11	12
LC J000 02	16	62
LC J000 02	19	68
LD A000 07	24	88
LD A000 07	7	96
LD A000 08	2	4
LD A000 13	10	54
LD B000 07	7	90
LD B000 20	3	30
LD B000 09	15	62
LD B000 09	18	68
LE B000 01	4	8
LE B000 01	28	20
LJ A000 04	14A	22
PA 4022 04	19	100